

HN Female Connector Solder Cup Terminal Solder Attachment 4 Hole Flange

HN female 4 hole flange mount connector with solder cup terminal, part number SC4819, from Fairview Microwave is in-stock and ships same day. This HN female connector operates up to a maximum frequency of 4 GHz and offers excellent VSWR of 1.25:1. Fairview's SC4819 4 hole flange HN connector enables designers to make external connections on product enclosures, and can be used in a variety of other rack mount and panel mount applications.

Fairview's HN female 4 hole flange connector SC4819 datasheet specifications and outline drawing are shown in this PDF below. Our extensive offering of RF, microwave and millimeter wave connectors allows designers to configure and customize their signal connections however they like. From providing an I/O for a board design to creating a custom cable assembly configuration, Fairview Microwave has a connector solution to meet your needs. Fairview Microwave also has the expertise to build your custom cable assemblies for you and ship them same-day.

Electrical Specifications

Description	Min	Typ	Max	Units
Frequency Range	DC		4	GHz
VSWR			1.25:1	

Mechanical Specifications

Size	
Length	1.5 in [38.1 mm]
Width/Dia.	1.1875 in [30.16 mm]
Height	1.1875 in [30.16 mm]
Weight	0.088 lbs [39.92 g]

Material Specifications

Description	Material	Plating
Contact	Beryllium Copper	Silver QQ-S-365
Insulation	PTFE	
Outer Conductor	Brass	Nickel QQ-N-290

Environmental Specifications

Temperature

Operating Range -55 to +155 deg C

Compliance Certifications (see [product page](#) for current document)

Plotted and Other Data

Notes:



Configuration:

- HN Female Connector
- MIL-STD-348
- 50 Ohms
- Straight Body Geometry
- Solder Cup Interface Type
- Solder Attachment
- 4 Hole Flange

Features:

- Operating Frequency of 4 GHz Max.
- Excellent VSWR of 1.25:1
- Silver Plated Beryllium Copper Contact
- Contact plating according to QQ-S-365

Applications:

- General Purpose Test
- Rack and Panel Mount Applications

Fairview Microwave
 1130 Junction Dr. #100
 Allen, TX 75013
 Tel: 1-800-715-4396 / (972) 649-6678
 Fax: (972) 649-6689
www.fairviewmicrowave.com
sales@fairviewmicrowave.com

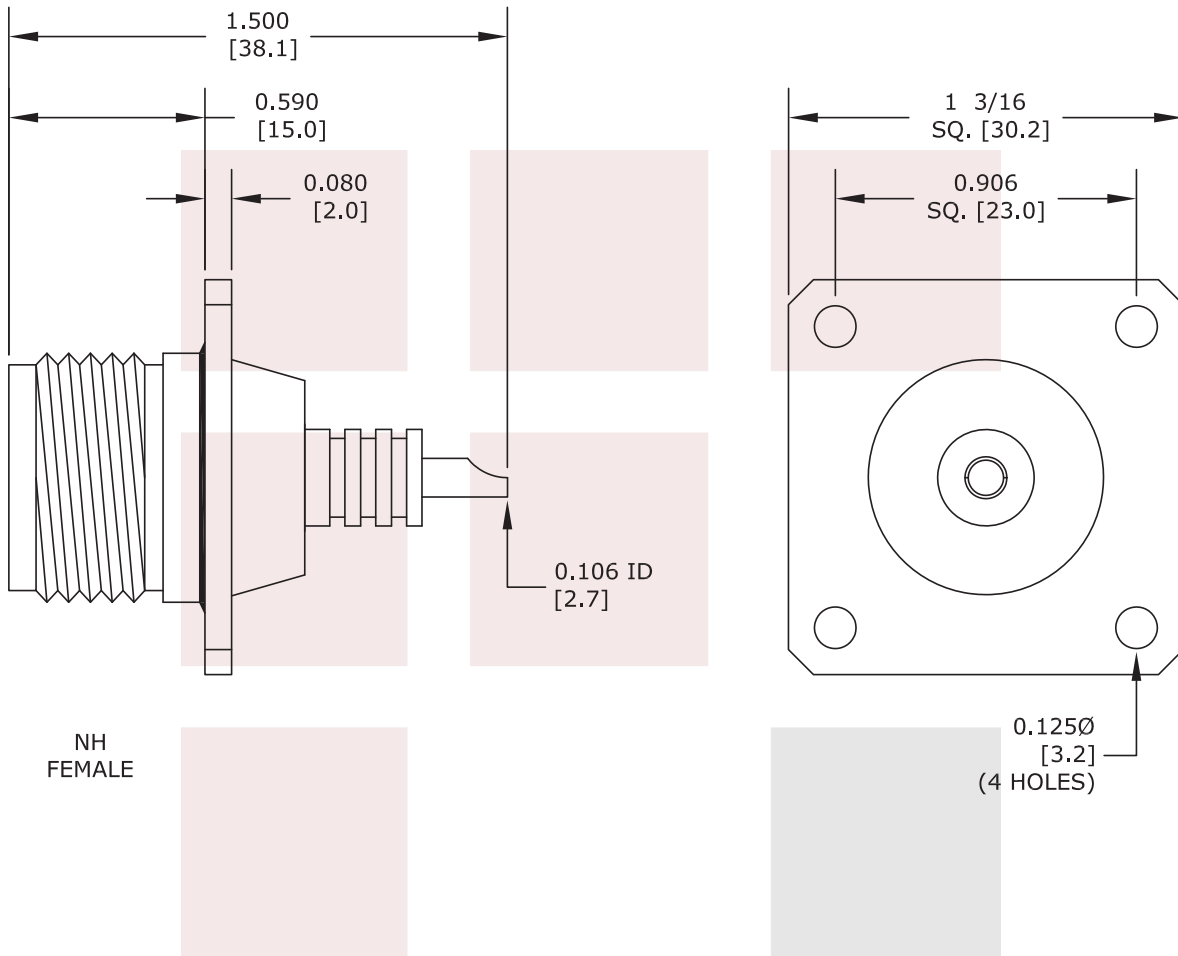
HN Female Connector Solder Cup Terminal Solder Attachment 4 Hole Flange from Fairview Microwave is in-stock and available to ship same-day. All of our RF/microwave products are available off-the-shelf from our ISO 9001:2008 certified facilities in Allen, Texas. Fairview Microwave is RF on-demand.

For additional information on this product, please click the following link: [HN Female Connector Solder Cup Terminal Solder Attachment 4 Hole Flange SC4819](#)

URL: <https://www.fairviewmicrowave.com/hn-female-standard-solder-cup-terminal-connector-sc4819-p.aspx>

The information contained in this document is accurate to the best of our knowledge and representative of the part described herein. It may be necessary to make modifications to the part and/or the documentation of the part, in order to implement improvements. Fairview Microwave reserves the right to make such changes as required. Unless otherwise stated, all specifications are nominal. Fairview Microwave does not make any representation or warranty regarding the suitability of the part described herein for any particular purpose, and Fairview Microwave does not assume any liability arising out of the use of any part or documentation.





STANDARD TOLERANCES	
.X	±0.2
.XX	±0.1
.XXX	±0.05

*STANDARD TOLERANCES APPLY ONLY TO DIMENSIONS IN INCHES

FAIRVIEW MICROWAVE INC. ALLEN, TX 75013 WWW.FAIRVIEWMICROWAVE.COM		NOTES: 1. UNLESS OTHERWISE SPECIFIED ALL DIMENSIONS ARE NOMINAL. 2. ALL SPECIFICATIONS ARE SUBJECT TO CHANGE WITHOUT NOTICE AT ANY TIME. 3. DIMENSIONS ARE IN INCHES [mm].			
TITLE HN Female Connector Solder Cup Terminal Solder Attachment 4 Hole Flange		DWG NO SC4819		CAGE CODE 3FKR5	
CAD FILE	120716	SHEET	SCALE	N/A	SIZE A 2233