

RA SMP Male Full Detent PCB Connector Thru Hole Solder Attachment

RA SMP male full detent connector with solder attachment for thru hole PCB, part number SC5333, from Fairview Microwave is in-stock and ships same day. This SMP male connector operates up to a maximum frequency of 18 GHz and offers excellent VSWR of 1.25:1. This blind mate connector is ideal for applications without direct visual or tactile access to the connection point, for example, when two circuit boards need to be mated. Its right angle body geometry facilitates connections in tight spaces.

Fairview's RA SMP male connector SC5333 datasheet specifications and outline drawing are shown in this PDF below. Our extensive offering of RF, microwave and millimeter wave connectors allows designers to configure and customize their signal connections however they like. From providing an I/O for a board design to creating a custom cable assembly configuration, Fairview Microwave has a connector solution to meet your needs. Fairview Microwave also has the expertise to build your custom cable assemblies for you and ship them same-day.

Electrical Specifications

Description	Min	Typ	Max	Units
Frequency Range	DC		18	GHz
VSWR			1.25:1	

Mechanical Specifications

Size	
Length	0.285 in [7.24 mm]
Width/Dia.	0.177 in [4.50 mm]
Weight	0.01 lbs [4.54 g]

Material Specifications

Description	Material	Plating
Contact	Beryllium Copper	Gold MIL-G-45204
Insulation	PTFE	
Body	Beryllium Copper	Gold MIL-G-45204

Environmental Specifications

Temperature

Operating Range -55 to +155 deg C

Compliance Certifications (see [product page](#) for current document)

Plotted and Other Data

Notes:



Configuration:

- Full Detent SMP Male Connector
- DESC 94007
- 50 Ohms
- Right Angle Body Geometry
- Thru Hole Interface Type
- Solder Attachment

Features:

- Operating Frequency of 18 GHz Max.
- Excellent VSWR of 1.25:1
- Blind Mate Connector
- Gold Plated Beryllium Copper Contact
- Contact plating according to MIL-G-45204

Applications:

- General Purpose Test
- PCB Applications

Fairview Microwave
 1130 Junction Dr. #100
 Allen, TX 75013
 Tel: 1-800-715-4396 / (972) 649-6678
 Fax: (972) 649-6689
www.fairviewmicrowave.com
sales@fairviewmicrowave.com

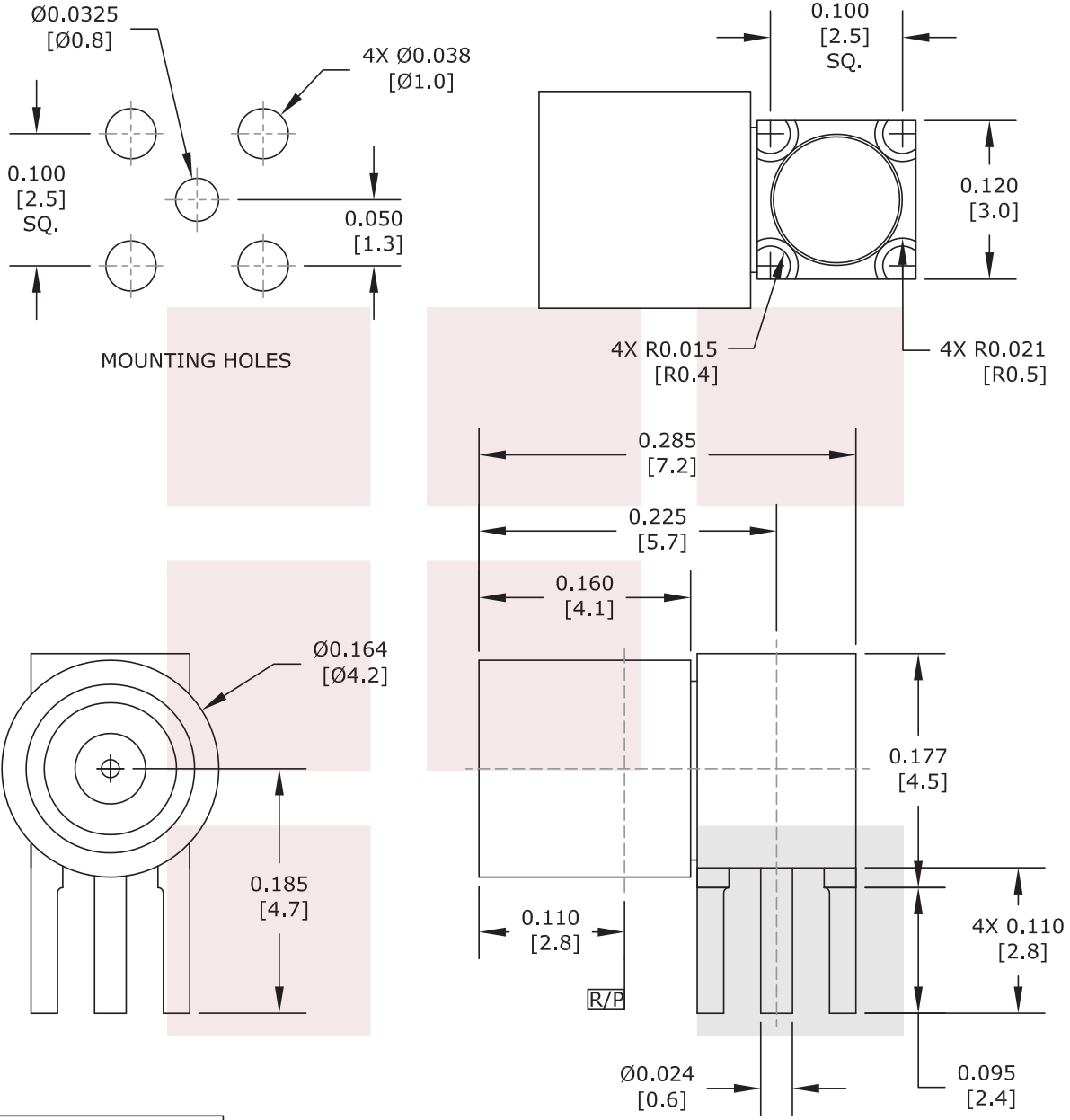
RA SMP Male Full Detent PCB Connector Thru Hole Solder Attachment from Fairview Microwave is in-stock and available to ship same-day. All of our RF/microwave products are available off-the-shelf from our ISO 9001:2008 certified facilities in Allen, Texas. Fairview Microwave is RF on-demand.

For additional information on this product, please click the following link: [RA SMP Male Full Detent PCB Connector Thru Hole Solder Attachment SC5333](#)

URL: <https://www.fairviewmicrowave.com/smp-male-standard-full-detent-thru-hole-pcb-connector-sc5333-p.aspx>

The information contained in this document is accurate to the best of our knowledge and representative of the part described herein. It may be necessary to make modifications to the part and/or the documentation of the part, in order to implement improvements. Fairview Microwave reserves the right to make such changes as required. Unless otherwise stated, all specifications are nominal. Fairview Microwave does not make any representation or warranty regarding the suitability of the part described herein for any particular purpose, and Fairview Microwave does not assume any liability arising out of the use of any part or documentation.





SMP MALE
 FULL DETENT

STANDARD TOLERANCES	
.X	±0.2
.XX	±0.1
.XXX	±0.05

*STANDARD TOLERANCES APPLY ONLY TO DIMENSIONS IN INCHES

FAIRVIEW MICROWAVE INC.		NOTES: 1. UNLESS OTHERWISE SPECIFIED ALL DIMENSIONS ARE NOMINAL. 2. ALL SPECIFICATIONS ARE SUBJECT TO CHANGE WITHOUT NOTICE AT ANY TIME. 3. DIMENSIONS ARE IN INCHES [mm].		
ALLEN, TX 75013 WWW.FAIRVIEWMICROWAVE.COM		DWG NO	CAGE CODE	
TITLE RA SMP Male Full Detent PCB Connector Thru Hole Solder Attachment		SC5333	3FKR5	
CAD FILE	121916	SHEET	SCALE N/A	SIZE A 41742