

**SMP Male Limited Detent PCB Connector Surface Mount Solder Attachment**

SMP male limited detent connector with solder attachment for surface mount PCB, part number SC5346, from Fairview Microwave is in-stock and ships same day. This SMP male connector operates up to a maximum frequency of 18 GHz. This blind mate connector is ideal for applications without direct visual or tactile access to the connection point, for example, when two circuit boards need to be mated.

Fairview's SMP male connector SC5346 datasheet specifications and outline drawing are shown in this PDF below. Our extensive offering of RF, microwave and millimeter wave connectors allows designers to configure and customize their signal connections however they like. From providing an I/O for a board design to creating a custom cable assembly configuration, Fairview Microwave has a connector solution to meet your needs. Fairview Microwave also has the expertise to build your custom cable assemblies for you and ship them same-day.

**Electrical Specifications**

Description	Min	Typ	Max	Units
Frequency Range	DC		18	GHz
Operating Voltage (AC)			335	Vrms

**Performance by Frequency**

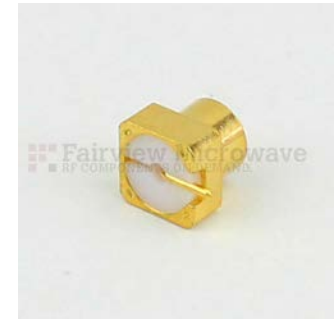
Description	F1	F2	F3	F4	F5	Units
Frequency Range	DC to 15					GHz
VSWR, Max	1.3:1					

**Mechanical Specifications**

<b>Size</b>	
Length	0.2 in [5.08 mm]
Width/Dia.	0.197 in [5.00 mm]
Height	0.197 in [5 mm]
Weight	0.00088 lbs [0.4 g]

**Material Specifications**

Description	Material	Plating
Contact	Brass	Gold 50 µin minimum
Insulation	PTFE	
Body	Brass	Gold 50 µin minimum



**Configuration:**

- Limited Detent SMP Male Connector
- MIL-STD-348A
- 50 Ohms
- Straight Body Geometry
- Surface Mount Interface Type
- Solder Attachment

**Features:**

- Operating Frequency of 18 GHz Max.
- Blind Mate Connector
- Gold Plated Brass Contact
- 50 µin minimum contact plating

**Applications:**

- General Purpose Test
- PCB Applications

Fairview Microwave  
 1130 Junction Dr. #100  
 Allen, TX 75013  
 Tel: 1-800-715-4396 / (972) 649-6678  
 Fax: (972) 649-6689  
[www.fairviewmicrowave.com](http://www.fairviewmicrowave.com)  
[sales@fairviewmicrowave.com](mailto:sales@fairviewmicrowave.com)

**Environmental Specifications**

**Temperature**

Operating Range -65 to +165 deg C

**Compliance Certifications** (see [product page](#) for current document)

**Plotted and Other Data**

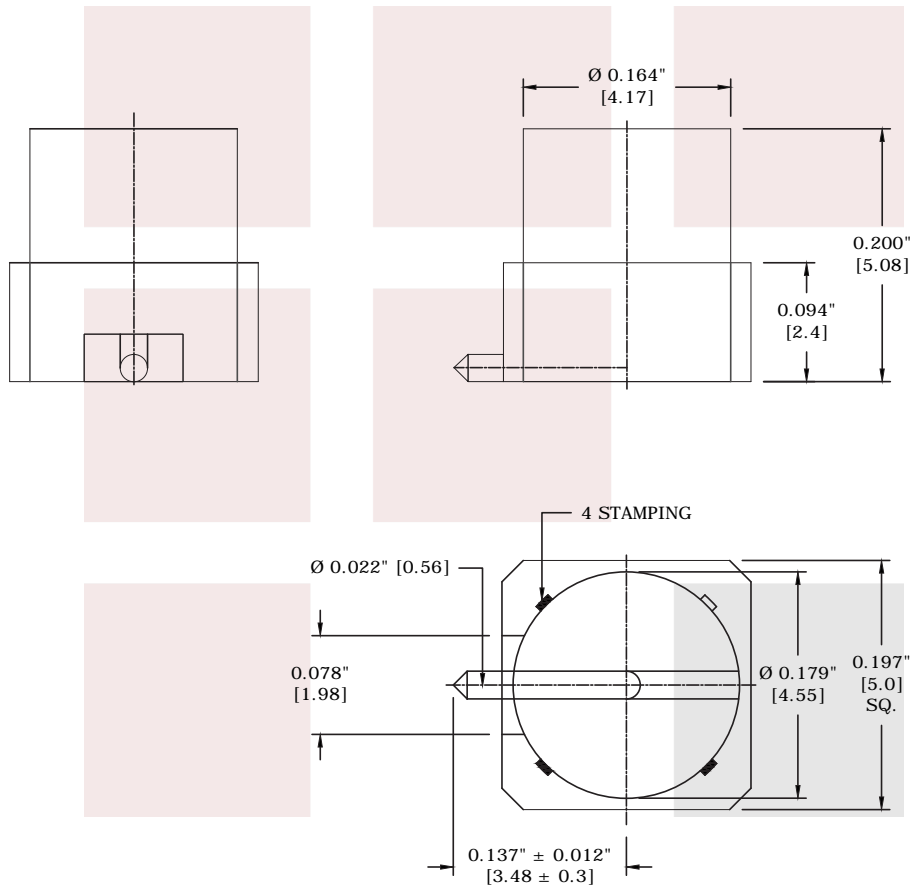
Notes:

SMP Male Limited Detent PCB Connector Surface Mount Solder Attachment from Fairview Microwave is in-stock and available to ship same-day. All of our RF/microwave products are available off-the-shelf from our ISO 9001:2008 certified facilities in Allen, Texas. Fairview Microwave is RF on-demand.

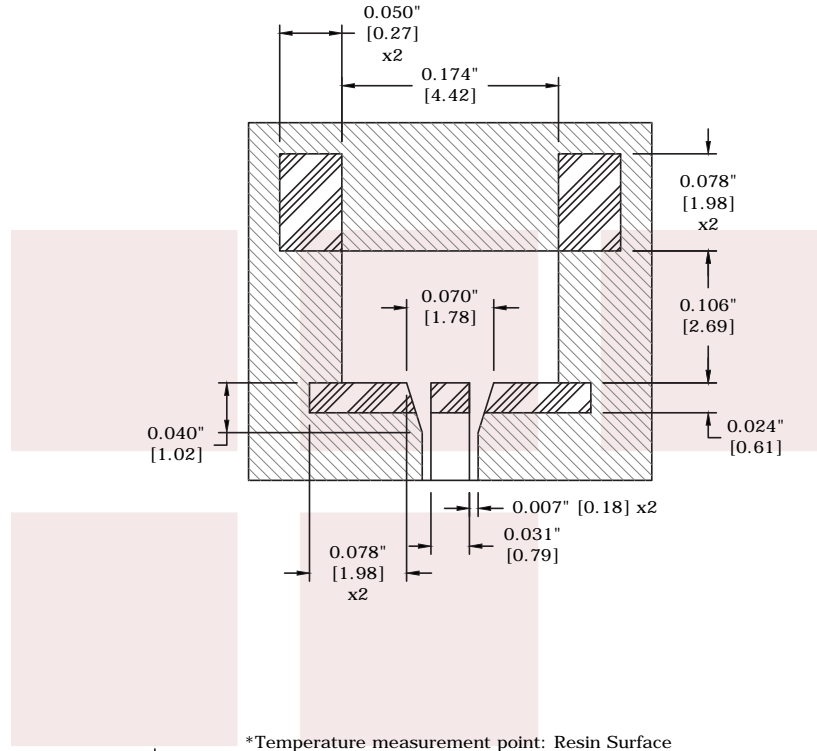
For additional information on this product, please click the following link: [SMP Male Limited Detent PCB Connector Surface Mount Solder Attachment SC5346](#)

URL: <https://www.fairviewmicrowave.com/smp-male-standard-limited-detent-surface-mount-pcb-connector-sc5346-p.aspx>

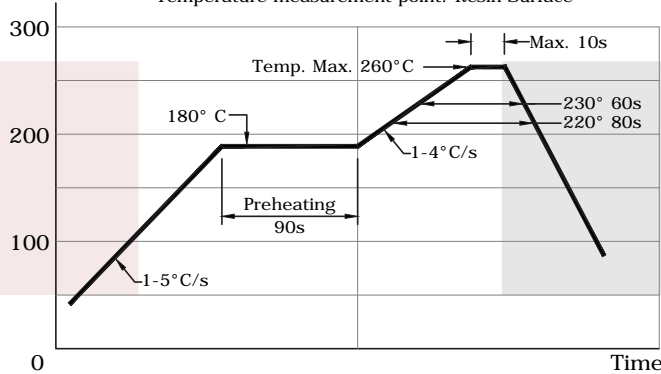
The information contained in this document is accurate to the best of our knowledge and representative of the part described herein. It may be necessary to make modifications to the part and/or the documentation of the part, in order to implement improvements. Fairview Microwave reserves the right to make such changes as required. Unless otherwise stated, all specifications are nominal. Fairview Microwave does not make any representation or warranty regarding the suitability of the part described herein for any particular purpose, and Fairview Microwave does not assume any liability arising out of the use of any part or documentation.



<b>FAIRVIEW MICROWAVE INC.</b> ALLEN, TX 75013 WWW.FAIRVIEWMICROWAVE.COM		NOTES: 1. UNLESS OTHERWISE SPECIFIED ALL DIMENSIONS ARE NOMINAL. 2. ALL SPECIFICATIONS ARE SUBJECT TO CHANGE WITHOUT NOTICE AT ANY TIME. 3. DIMENSIONS ARE IN INCHES [mm].				
TITLE SMP Male Limited Detent PCB Connector Surface Mount Solder Attachment		DWG NO <b>SC5346</b>		CAGE CODE <b>3FKR5</b>		
		CAD FILE 011415	SHEET	SCALE N/A	SIZE A	5568



\*Temperature measurement point: Resin Surface



Recommended temperature profile of infrared reflow

<b>FAIRVIEW MICROWAVE INC.</b> ALLEN, TX 75013 WWW.FAIRVIEWMICROWAVE.COM		NOTES: 1. UNLESS OTHERWISE SPECIFIED ALL DIMENSIONS ARE NOMINAL. 2. ALL SPECIFICATIONS ARE SUBJECT TO CHANGE WITHOUT NOTICE AT ANY TIME. 3. DIMENSIONS ARE IN INCHES [mm].						
TITLE SMP Male Limited Detent PCB Connector Surface Mount Solder Attachment		DWG NO <b>SC5346</b>		CAGE CODE <b>3FKR5</b>				
CAD FILE	011415	SHEET		SCALE	N/A	SIZE	A	5568