

SMP Male (Plug) Smooth Bore PCB Connector Surface Mount, Solder

SMP male smooth bore connector with solder attachment for surface mount PCB, part number SC5347, from Fairview Microwave is in-stock and ships same day. This SMP male connector operates up to a maximum frequency of 18 GHz and offers excellent VSWR of 1.25:1. This blind mate connector is ideal for applications without direct visual or tactile access to the connection point, for example, when two circuit boards need to be mated.

Fairview's SMP male connector SC5347 datasheet specifications and outline drawing are shown in this PDF below. Our extensive offering of RF, microwave and millimeter wave connectors allows designers to configure and customize their signal connections however they like. From providing an I/O for a board design to creating a custom cable assembly configuration, Fairview Microwave has a connector solution to meet your needs. Fairview Microwave also has the expertise to build your custom cable assemblies for you and ship them same-day.

Electrical Specifications

Description	Min	Typ	Max	Units
Frequency Range	DC		18	GHz
VSWR			1.25:1	

Mechanical Specifications

Size	
Length	0.195 in [4.95 mm]
Width/Dia.	0.19 in [4.83 mm]
Weight	0.003 lbs [1.36 g]

Material Specifications

Description	Material	Plating
Contact	Kovar	Gold MIL-G-45204
Body	Kovar	Gold MIL-G-45204

Environmental Specifications

Temperature

Operating Range -55 to +155 deg C

Compliance Certifications (see [product page](#) for current document)

Plotted and Other Data

Notes:



Configuration:

- Smooth Bore SMP Male Connector
- MIL-STD-348
- 50 Ohms
- Straight Body Geometry
- Surface Mount Interface Type
- Solder Attachment

Features:

- Operating Frequency of 18 GHz Max.
- Excellent VSWR of 1.25:1
- Blind Mate Connector
- Gold Plated Kovar Contact
- Contact plating according to MIL-G-45204

Applications:

- General Purpose Test
- PCB Applications

Fairview Microwave
301 Leora Ln., Suite 100
Lewisville, TX 75056
Tel: 1-800-715-4396 / (972) 649-6678
Fax: (972) 649-6689
www.fairviewmicrowave.com
sales@fairviewmicrowave.com

SMP Male (Plug) Smooth Bore PCB Connector Surface Mount, Solder from Fairview Microwave is in-stock and available to ship same-day. All of our RF/microwave products are available off-the-shelf from our ISO 9001:2008 certified facilities in Lewisville, Texas. Fairview Microwave is RF on-demand.

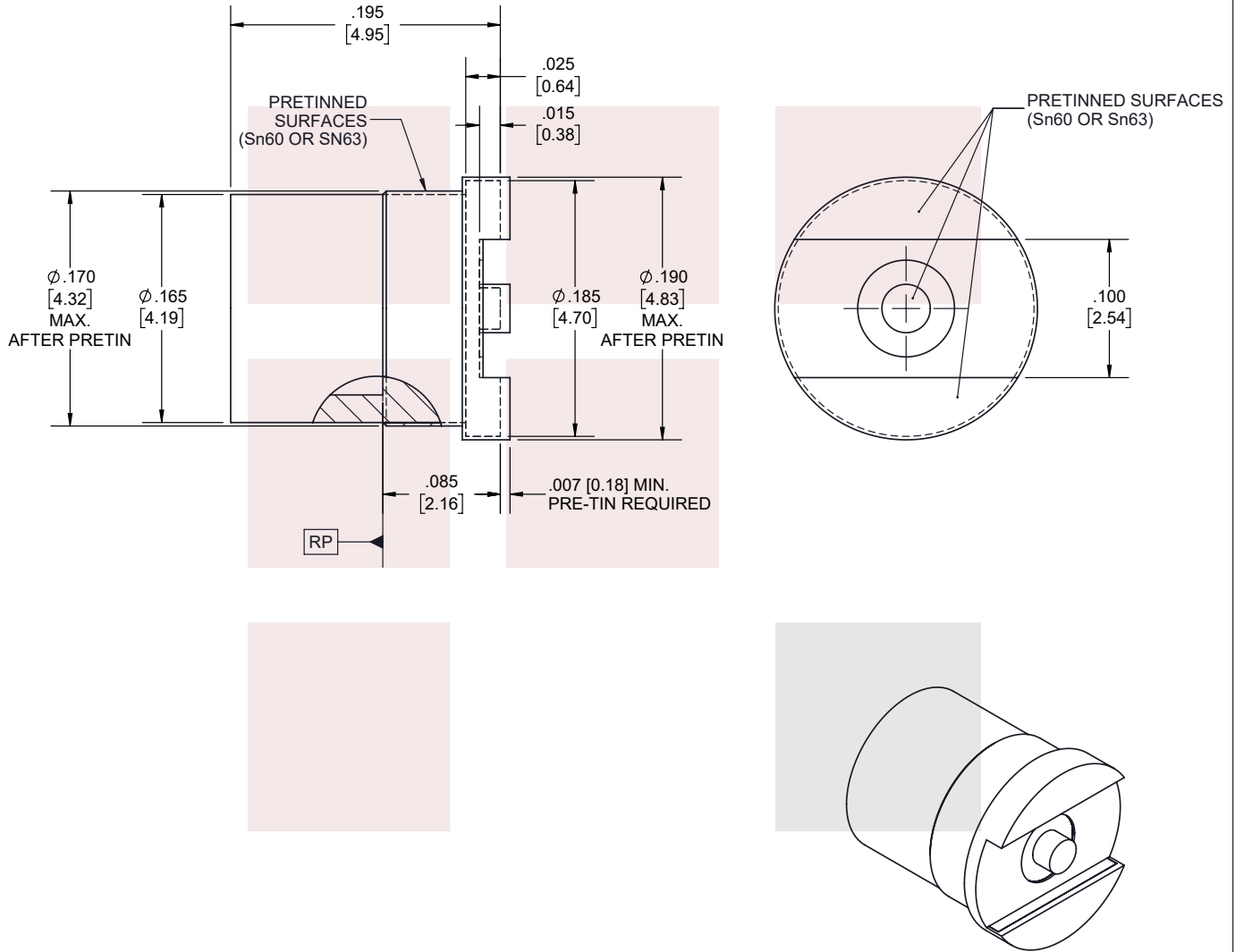
For additional information on this product, please click the following link: [SMP Male \(Plug\) Smooth Bore PCB Connector Surface Mount, Solder SC5347](#)

URL: <https://www.fairviewmicrowave.com/smp-male-standard-smooth-bore-surface-mount-pcb-connector-sc5347-p.aspx>

The information contained in this document is accurate to the best of our knowledge and representative of the part described herein. It may be necessary to make modifications to the part and/or the documentation of the part, in order to implement improvements. Fairview Microwave reserves the right to make such changes as required. Unless otherwise stated, all specifications are nominal. Fairview Microwave does not make any representation or warranty regarding the suitability of the part described herein for any particular purpose, and Fairview Microwave does not assume any liability arising out of the use of any part or documentation.



REVISIONS			
REV.	DESCRIPTION	DATE	APPROVED
B	PCR PE44947	3/2/2022	A. GANWANI



THESE COMMODITIES, TECHNOLOGY OR SOFTWARE WERE EXPORTED FROM THE UNITED STATES IN ACCORDANCE WITH THE EXPORT ADMINISTRATION REGULATIONS. DIVERSION CONTRARY TO U.S. LAW PROHIBITED.

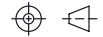
TITLE
SMP Male (Plug) Smooth Bore PCB Connector Surface Mount, Solder

UNLESS OTHERWISE SPECIFIED LEADING DIMENSIONS ARE INCHES
DIMENSIONS IN [] ARE MILLIMETERS

TOLERANCES: CABLE LENGTH (L) TOLERANCES:

$.X = \pm .2$ [5.08]	FRACTIONS	$L \leq 12$ [305] = +1 [25] / -0
$.XX = \pm .02$ [.51]	$\pm 1/32$	12 [305] < $L \leq 60$ [1524] = +2 [51] / -0
$.XXX = \pm .005$ [.13]	ANGLES $\pm 1^\circ$	60 [1524] < $L \leq 120$ [3048] = +4 [102] / -0
		120 [3048] < $L \leq 300$ [7620] = +6 [152] / -0
		300 [7620] < $L = +5\%L$ / -0

THIRD-ANGLE PROJECTION



THE INFORMATION AND DESIGN IN THIS DOCUMENT IS THE PROPERTY OF FAIRVIEW MICROWAVE CORPORATION. ALL RIGHTS RESERVED.

SHEET 1 OF 1

ALL DIMENSIONS SHOWN ARE FOR REFERENCE ONLY.

SCALE N/A

SIZE A	CAGE CODE 3FKR5	DRAWN BY K.DANG	ITEM NO. SC5347	REV B
-----------	--------------------	--------------------	--------------------	----------

T-Rev.D