

**RA Mini SMP Male Smooth Bore PCB Connector
 Surface Mount Solder Attachment**

RA Mini SMP male smooth bore connector with solder attachment for surface mount PCB, part number SC5463, from Fairview Microwave is in-stock and ships same day. This Mini SMP male connector operates up to a maximum frequency of 40 GHz. This blind mate connector is ideal for applications without direct visual or tactile access to the connection point, for example, when two circuit boards need to be mated. Its right angle body geometry facilitates connections in tight spaces.

Fairview's RA Mini SMP male connector SC5463 datasheet specifications and outline drawing are shown in this PDF below. Our extensive offering of RF, microwave and millimeter wave connectors allows designers to configure and customize their signal connections however they like. From providing an I/O for a board design to creating a custom cable assembly configuration, Fairview Microwave has a connector solution to meet your needs. Fairview Microwave also has the expertise to build your custom cable assemblies for you and ship them same-day.



Electrical Specifications

Description	Min	Typ	Max	Units
Frequency Range	DC		40	GHz

Mechanical Specifications

Weight 0.00044 lbs [0.2 g]

Material Specifications

Description	Material	Plating
Contact	Beryllium Copper	Gold MIL-G-45204
Insulation	Torlon	
Body	Beryllium Copper	Gold MIL-G-45204

Environmental Specifications

Temperature

Operating Range -55 to +125 deg C

Compliance Certifications (see [product page](#) for current document)

Plotted and Other Data

Notes:

Configuration:

- Smooth Bore Mini SMP Male Connector
- 50 Ohms
- Right Angle Body Geometry
- Surface Mount Interface Type
- Solder Attachment

Features:

- Operating Frequency of 40 GHz Max.
- Blind Mate Connector
- Gold Plated Beryllium Copper Contact
- Contact plating according to MIL-G-45204

Applications:

- General Purpose Test
- Space Saving for PCB Applications

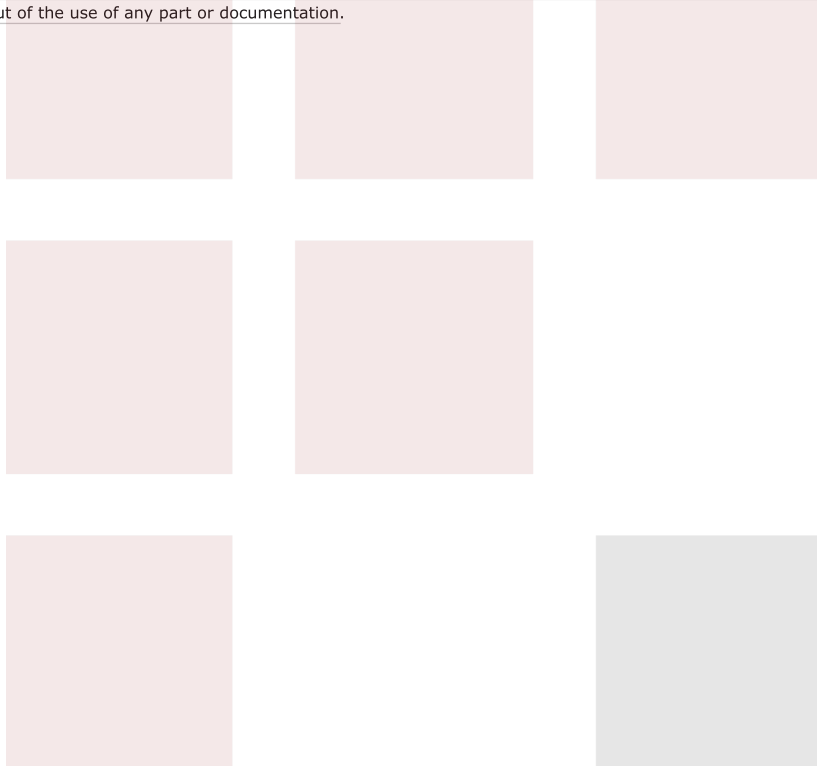
Fairview Microwave
 1130 Junction Dr. #100
 Allen, TX 75013
 Tel: 1-800-715-4396 / (972) 649-6678
 Fax: (972) 649-6689
www.fairviewmicrowave.com
sales@fairviewmicrowave.com

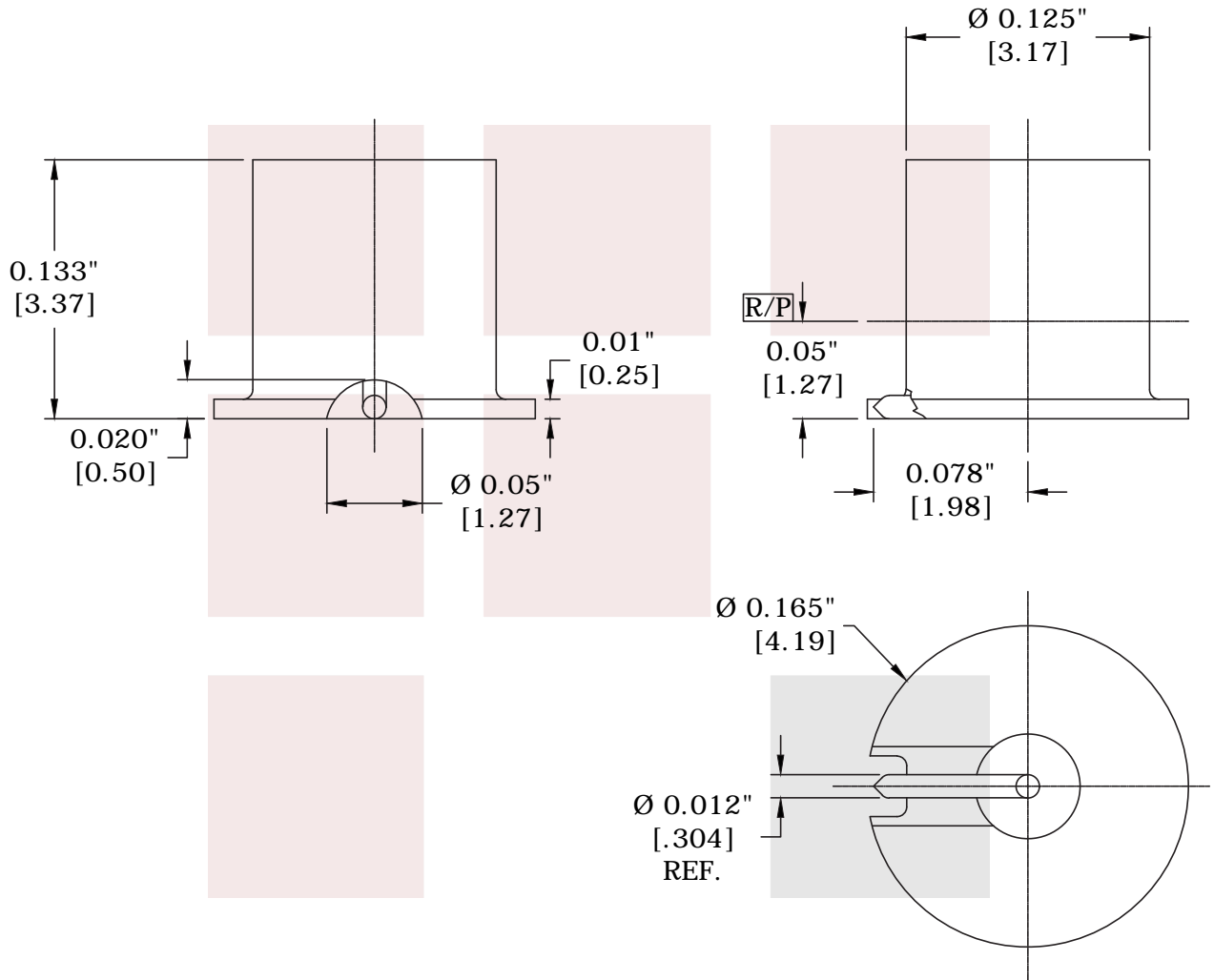
RA Mini SMP Male Smooth Bore PCB Connector Surface Mount Solder Attachment from Fairview Microwave is in-stock and available to ship same-day. All of our RF/microwave products are available off-the-shelf from our ISO 9001:2008 certified facilities in Allen, Texas. Fairview Microwave is RF on-demand.

For additional information on this product, please click the following link: [RA Mini SMP Male Smooth Bore PCB Connector Surface Mount Solder Attachment SC5463](#)

URL: <https://www.fairviewmicrowave.com/mini-smp-male-smooth-bore-surface-mount-pcb-connector-sc5463-p.aspx>

The information contained in this document is accurate to the best of our knowledge and representative of the part described herein. It may be necessary to make modifications to the part and/or the documentation of the part, in order to implement improvements. Fairview Microwave reserves the right to make such changes as required. Unless otherwise stated, all specifications are nominal. Fairview Microwave does not make any representation or warranty regarding the suitability of the part described herein for any particular purpose, and Fairview Microwave does not assume any liability arising out of the use of any part or documentation.





FAIRVIEW MICROWAVE INC. ALLEN, TX 75013 WWW.FAIRVIEWMICROWAVE.COM		NOTES: 1. UNLESS OTHERWISE SPECIFIED ALL DIMENSIONS ARE NOMINAL. 2. ALL SPECIFICATIONS ARE SUBJECT TO CHANGE WITHOUT NOTICE AT ANY TIME. 3. DIMENSIONS ARE IN INCHES [mm].			
TITLE RA Mini SMP Male Smooth Bore PCB Connector Surface Mount Solder Attachment		DWG NO SC5463		CAGE CODE 3FKR5	
CAD FILE	020216	SHEET	SCALE	N/A	SIZE A 5568