

2.92mm Female Bulkhead Connector Solder Attachment For RG405 Cable

2.92mm female bulkhead connector with solder attachment for RG405, part number SC5833, from Fairview Microwave is in-stock and ships same day. This 2.92mm female connector operates up to a maximum frequency of 40 GHz and offers good VSWR of 1.3:1. Fairview's SC5833 bulkhead 2.92mm connector enables designers to make external connections on product enclosures, and can be used in a variety of other rack mount and panel mount applications.

Fairview's 2.92mm female bulkhead connector SC5833 datasheet specifications and outline drawing are shown in this PDF below. Our extensive offering of RF, microwave and millimeter wave connectors allows designers to configure and customize their signal connections however they like. From providing an I/O for a board design to creating a custom cable assembly configuration, Fairview Microwave has a connector solution to meet your needs. Fairview Microwave also has the expertise to build your custom cable assemblies for you and ship them same-day.



Configuration:

- 2.92mm Female Connector
- 50 Ohms
- Straight Body Geometry
- RG405 Interface Type
- Solder Attachment
- Bulkhead

Features:

- Operating Frequency of 40 GHz Max.
- Good VSWR of 1.3:1
- Gold Plated Beryllium Copper Contact
- Contact plating according to MIL-G-45204

Applications:

- General Purpose Test
- Rack and Panel Mount Applications
- Custom Cable Assemblies

Electrical Specifications

| Description | Min | Typ | Max | Units |
|-----------------|-----|-----|-------|-------|
| Frequency Range | DC | | 40 | GHz |
| VSWR | | | 1.3:1 | |

Mechanical Specifications

| | |
|---------------|---------------------|
| Size | |
| Length | 0.64 in [16.26 mm] |
| Width/Dia. | 0.437 in [11.10 mm] |
| Weight | 0.00705 lbs [3.2 g] |
| Mating Cycles | 500 Cycles |

Material Specifications

| Description | Material | Plating |
|-----------------|------------------|---------------------|
| Contact | Beryllium Copper | Gold MIL-G-45204 |
| Insulation | PTFE | |
| Outer Conductor | Stainless Steel | Passivated |
| Body | Stainless Steel | Passivated |

Environmental Specifications

| | |
|--------------------|-------------------|
| Temperature | |
| Operating Range | -55 to +100 deg C |

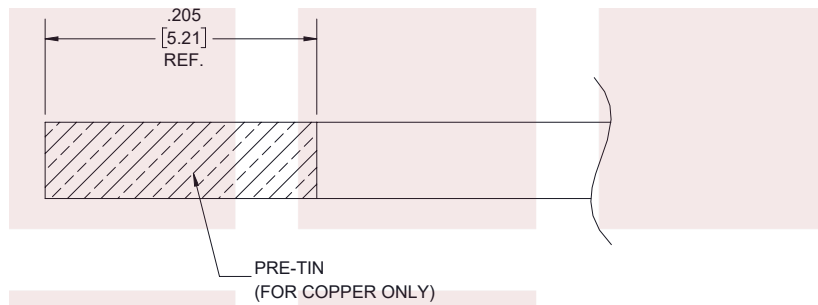
Compliance Certifications (see [product page](#) for current document)

Plotted and Other Data

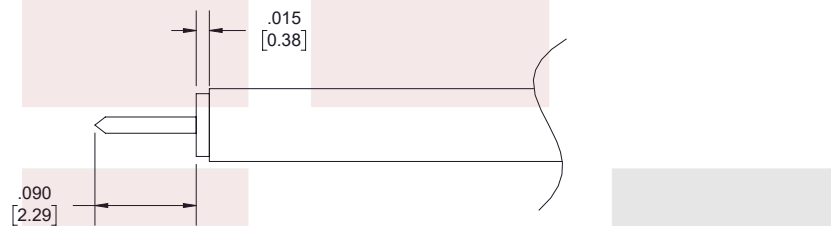
Notes:

Fairview Microwave
 301 Leora Ln., Suite 100
 Lewisville, TX 75056
 Tel: 1-800-715-4396 / (972) 649-6678
 Fax: (972) 649-6689
www.fairviewmicrowave.com
sales@fairviewmicrowave.com

Assembly Instruction



1. PRE-TIN CABLE JACKET TO THE REFERENCE LENGTH AS SHOWN. ONLY FOR COPPER OUTER CONDUCTOR CABLE.



2. STRIP CABLE TO THE DIMENSIONS AS SHOWN TO EXPOSE CENTER CONDUCTOR AND DIELECTRIC. DO NOT NICK CENTER CONDUCTOR.
3. SLIDE CABLE INTO CONNECTOR INSURING CENTER CONDUCTOR MATES WITH CENTER PIN.
4. OUTER CONDUCTOR BOTTOMS OUT WITH BODY SHOULDER. SOLDER OUTER CONDUCTOR TO BODY.

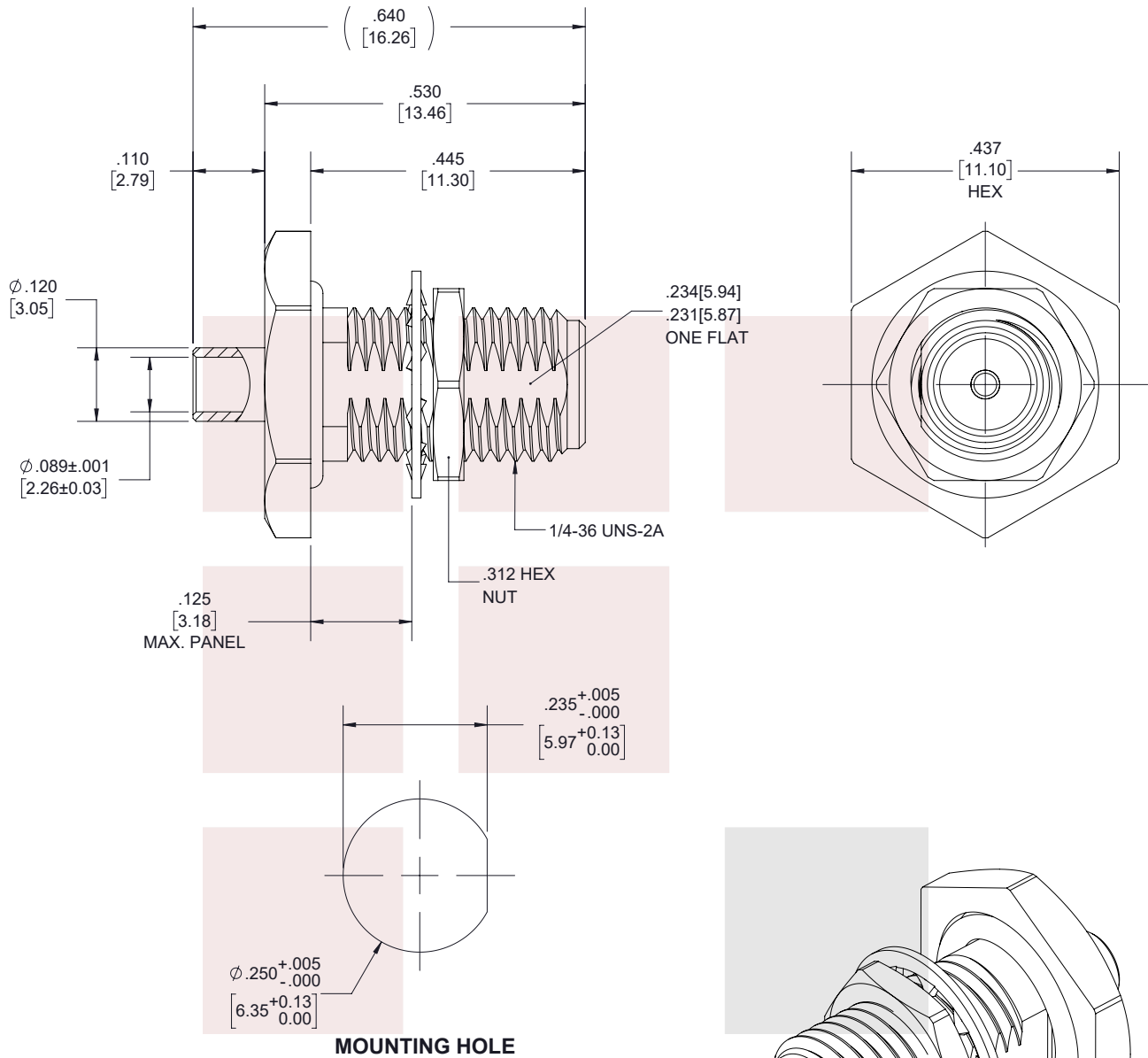
2.92mm Female Bulkhead Connector Solder Attachment For RG405 Cable from Fairview Microwave is in-stock and available to ship same-day. All of our RF/microwave products are available off-the-shelf from our ISO 9001:2008 certified facilities in Allen, Texas. Fairview Microwave is RF on-demand.

For additional information on this product, please click the following link: [2.92mm Female Bulkhead Connector Solder Attachment For RG405 Cable SC5833](#)

URL: <https://www.fairviewmicrowave.com/2.92mm-female-rg405-connector-sc5833-p.aspx>

The information contained in this document is accurate to the best of our knowledge and representative of the part described herein. It may be necessary to make modifications to the part and/or the documentation of the part, in order to implement improvements. Fairview Microwave reserves the right to make such changes as required. Unless otherwise stated, all specifications are nominal. Fairview Microwave does not make any representation or warranty regarding the suitability of the part described herein for any particular purpose, and Fairview Microwave does not assume any liability arising out of the use of any part or documentation.





| STANDARD TOLERANCES | |
|---------------------|--------|
| .X | ±0.2 |
| .XX | ±0.01 |
| .XXX | ±0.005 |

*STANDARD TOLERANCES APPLY ONLY TO DIMENSIONS IN INCHES

| | | | | | | | | |
|---|--------|---|--------|--------------------|-----|------|---|------|
| FAIRVIEW MICROWAVE INC. ALLEN, TX 75013 WWW.FAIRVIEWMICROWAVE.COM | | NOTES: 1. UNLESS OTHERWISE SPECIFIED ALL DIMENSIONS ARE NOMINAL. 2. ALL SPECIFICATIONS ARE SUBJECT TO CHANGE WITHOUT NOTICE AT ANY TIME. 3. DIMENSIONS ARE IN INCHES [mm]. | | | | | | |
| TITLE 2.92mm Female Bulkhead Connector Solder Attachment For RG405 Cable | | DWG NO SC5833 | | CAGE CODE 3FKR5 | | | | |
| CAD FILE | 022318 | SHEET | 1 OF 1 | SCALE | N/A | SIZE | A | 7361 |