

**BNC Female Connector Solder Attachment 4 Hole Flange For .047 SR Cable IP 68 Rated**

**Configuration**

Connector BNC Female

**Electrical Specifications\***

Description	Min	Typ	Max	Units
Frequency Range	DC		2	GHz
Impedance		50		Ohms
VSWR			1.09:1	
AC DWV			375	Vrms

\* Values at 25°C, sea level

**Mechanical Specifications**

**Temperature**

Operating Range -65 to +165 deg C

**Size**

Length 0.72 in [18.29 mm]  
 Width/Dia. 0.68 in [17.27 mm]  
 Height 0.56 in [14.22 mm]

**Connector**

Type BNC Female  
 Mating Cycles 500  
 Contact Material and Plating Beryllium Copper, Gold  
 Body Material and Plating Passivated Stainless Steel  
 Dielectric Type PTFE

**Compliance Certifications** (visit [www.FairviewMicrowave.com](http://www.FairviewMicrowave.com) for current document)

RoHS Compliant Yes



**Features:**

- Specification: MIL-STD-348
- Interface: .047 SR
- Attachment: Solder/Solder
- Body Style: Straight
- Mount Method: 4 Hole Flange

Fairview Microwave  
 1130 Junction Dr. #100  
 Allen, TX 75013  
 Tel: 1-800-715-4396 / (972) 649-6678  
 Fax: (972) 649-6689  
[www.fairviewmicrowave.com](http://www.fairviewmicrowave.com)  
[sales@fairviewmicrowave.com](mailto:sales@fairviewmicrowave.com)

**Plotted and Other Data**

Notes:

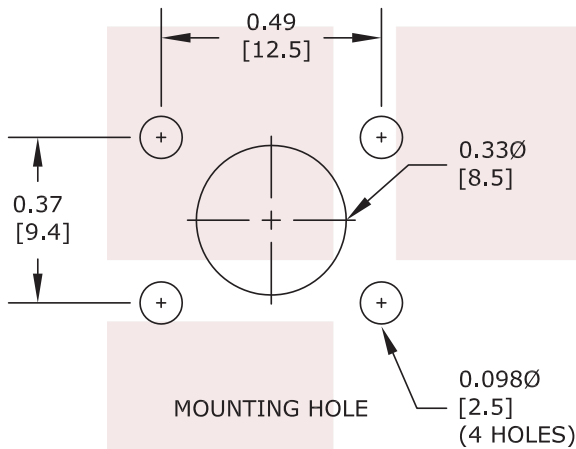
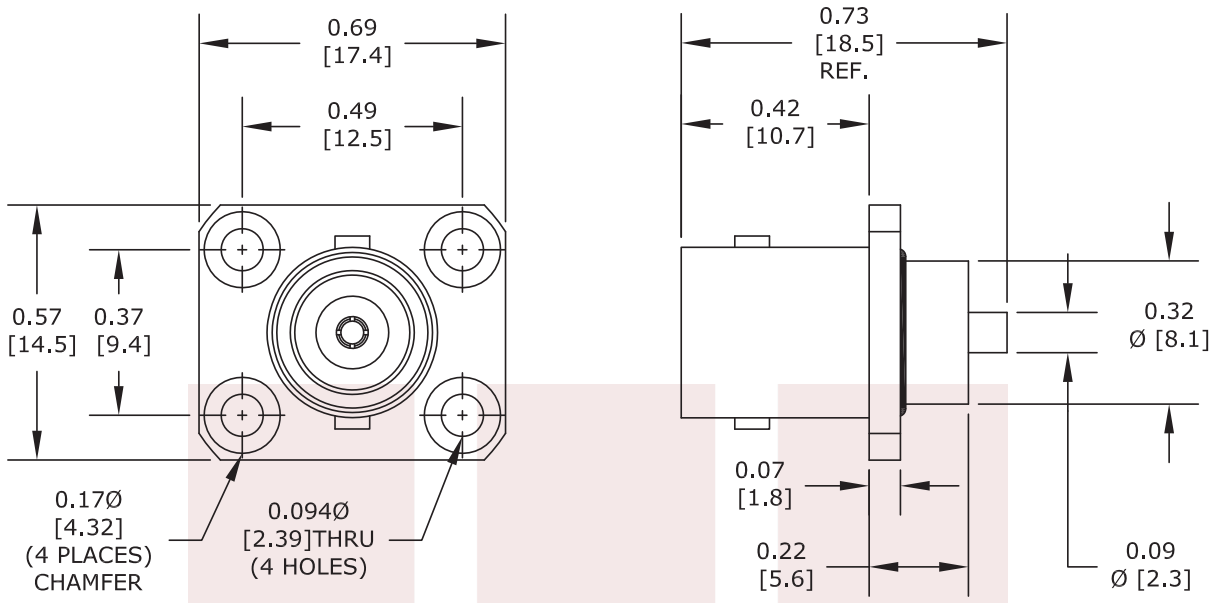
- Values at +25 °C, sea level

BNC Female Connector Solder Attachment 4 Hole Flange For .047 SR Cable IP 68 Rated from Fairview Microwave is in-stock and available to ship same-day. All of our RF/microwave products are available off-the-shelf from our ISO 9001:2008 certified facilities in Allen, Texas. Fairview Microwave is RF on-demand.

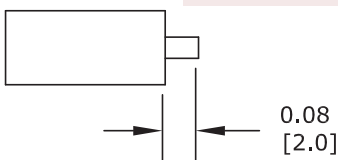
For additional information on this product, please click the following link: [BNC Female Connector Solder Attachment 4 Hole Flange For .047 SR Cable IP 68 Rated SC6003](#)

URL: <http://www.fairviewmicrowave.com/bnc-female-standard-.047-sr-connector-sc6003-p.aspx>

The information contained in this document is accurate to the best of our knowledge and representative of the part described herein. It may be necessary to make modifications to the part and/or the documentation of the part, in order to implement improvements. Fairview Microwave reserves the right to make such changes as required. Unless otherwise stated, all specifications are nominal. Fairview Microwave does not make any representation or warranty regarding the suitability of the part described herein for any particular purpose, and Fairview Microwave does not assume any liability arising out of the use of any part or documentation.



ASSEMBLY PROCEDURES



STRIPPING DIMENSIONS

1. TRIM CABLE AS SHOWN
2. SLIDE INSULATOR DISC OVER THE CABLE CENTER CONDUCTOR
3. SOLDER BULLET CONTACT TO CABLE CENTER CONDUCTOR INSERT CABLE WITH BULLET CONTACT INTO BODY
4. SOLDER OUTER CONDUCTOR OF CABLE TO BODY

<b>FAIRVIEW MICROWAVE INC.</b> ALLEN, TX 75013 WWW.FAIRVIEWMICROWAVE.COM		NOTES: 1. UNLESS OTHERWISE SPECIFIED ALL DIMENSIONS ARE NOMINAL. 2. ALL SPECIFICATIONS ARE SUBJECT TO CHANGE WITHOUT NOTICE AT ANY TIME. 3. DIMENSIONS ARE IN INCHES [mm].			
TITLE BNC Female Connector Solder Attachment 4 Hole Flange For .047 SR Cable IP 68 Rated		DWG NO SC6003		CAGE CODE 3FKR5	
CAD FILE	081814	SHEET	SCALE	N/A	SIZE A 2233