

# BNC-M CRIMP CONN RG179 RG187 75 OHMS

SC6034

## SPECIFICATIONS

### ELECTRICAL:

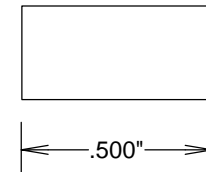
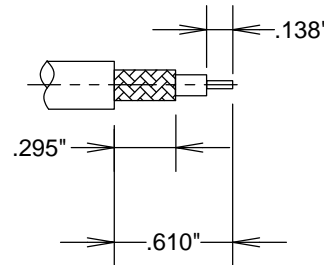
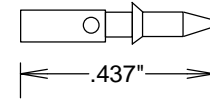
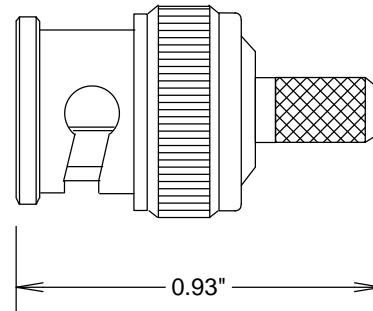
FREQUENCY: 0-1 GHZ  
 IMPEDANCE: 75 OHMS  
 WORKING VOLTAGE: 500 VOLTS MAX

### MECHANICAL:

MATERIAL BODY: BRASS, NICKLE PLATED  
 CENTER CONTACT: BRASS  
 CONTACT PLATING: Au  
 INSULATOR: TEFLON  
 ROHS COMPLIANT

OPERATING TEMPERATURE RANGE: -20°C TO +80°C

CABLE ATTACHMENT: OUTER - CRIMP, INNER - SOLDER/CRIMP  
 .071 HEX CRIMP TOOL FOR CONTACT  
 .181 HEX CRIMP TOOL FOR FERRULE



FERRULE

STRIPPING DIMENSIONS

				<b>FAIRVIEW MICROWAVE INC.</b>	
				ALLEN, TX 75013 WWW.FAIRVIEWMICROWAVE.COM	
				TITLE	
				<b>BNC-M CRIMP CONN RG179 RG187 75 OHMS</b>	
SIZE	CAGE CODE	DWG NO	REV		
<b>A</b>	<b>3FKR5</b>	<b>SC6034</b>	--		
SCALE			SHEET		