

BNC-M CONN RG8 RG9 CLAMP

SC6041

SPECIFICATIONS

ELECTRICAL:

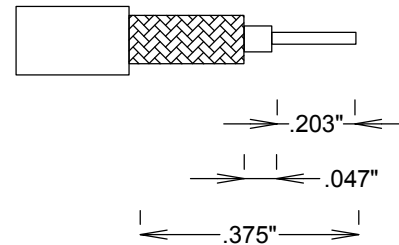
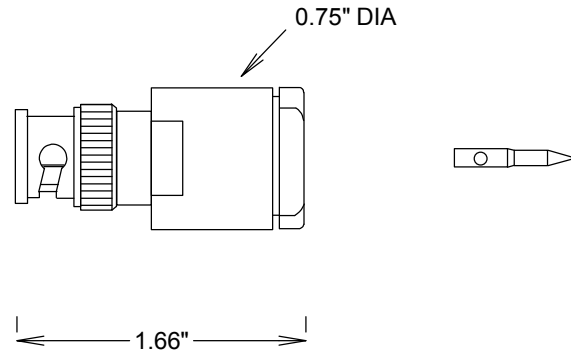
FREQUENCY: 0-4 GHZ
VSWR 1.2:1 MAX
IMPEDANCE: 50 OHMS
OP. TEMP RANGE: -55C- +155C

MECHANICAL:

MATERIAL BODY: BRASS, NICKLE PLATED
CENTER CONTACT: BRASS
CONTACT PLATING: Si QQ-S-365
INSULATOR: TEFLON
INTERFACE: MIL-STD-348A
ROHS COMPLIANT

ASSEMBLY INSTRUCTIONS:

TRIM CABLE AS SHOWN;
SLIDE BACKNUT, WASHER, GASKET, CLAMP ON CABLE;
SOLDER FERRULE TO JACKET;
SOLDER CONTACT TO CENTER CONDUCTOR
INSERT CABLE ASSEMBLY INTO JACKET & TIGHTEN BACKNUT



FAIRVIEW MICROWAVE INC.

ALLEN, TX 75013 WWW.FAIRVIEWMICROWAVE.COM

TITLE

BNC-M CONN RG8 RG9 CLAMP

SIZE	CAGE CODE	DWG NO	REV
A	3FKR5	SC6041	
SCALE	SHEET		