

# BNC PCB RECEPTACLE

SC6247

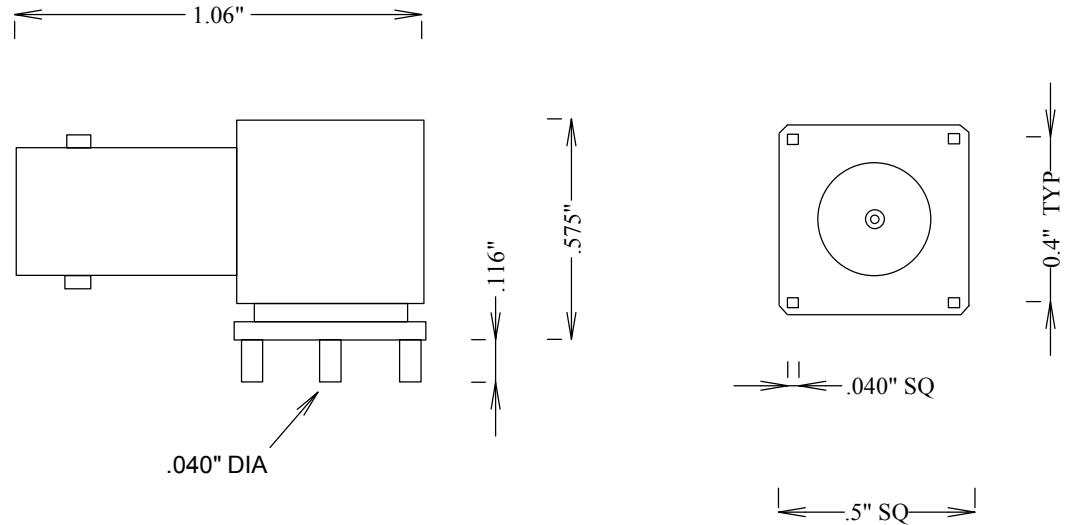
## SPECIFICATIONS

### ELECTRICAL:

FREQUENCY: 0-4 GHZ  
IMPEDANCE: 50 OHMS

### MECHANICAL:

MATERIAL BODY: Ni PLATED BRASS  
CENTER CONTACT: BeCu  
CONTACT PLATING: Au MIL-G-45204  
CAPTIVATED CONTACT  
INSULATOR: TEFLON  
INTERFACE: MIL-STD-883A  
ROHS COMPLIANT  
OP. TEMP RANGE: -55°C to +155°C



.063" MAX BOARD THICKNESS

**FAIRVIEW MICROWAVE INC.**

ALLEN, TX 75013 WWW.FAIRVIEWMICROWAVE.COM

TITLE

**BNC PCB RECEPTACLE**

SIZE	CAGE CODE	DWG NO	REV
<b>A</b>	<b>3FKR5</b>	<b>SC6247</b>	
SCALE	SHEET		