

# CONNECTOR SHV RG59 CRIMP

SC6517

## SPECIFICATIONS

### ELECTRICAL

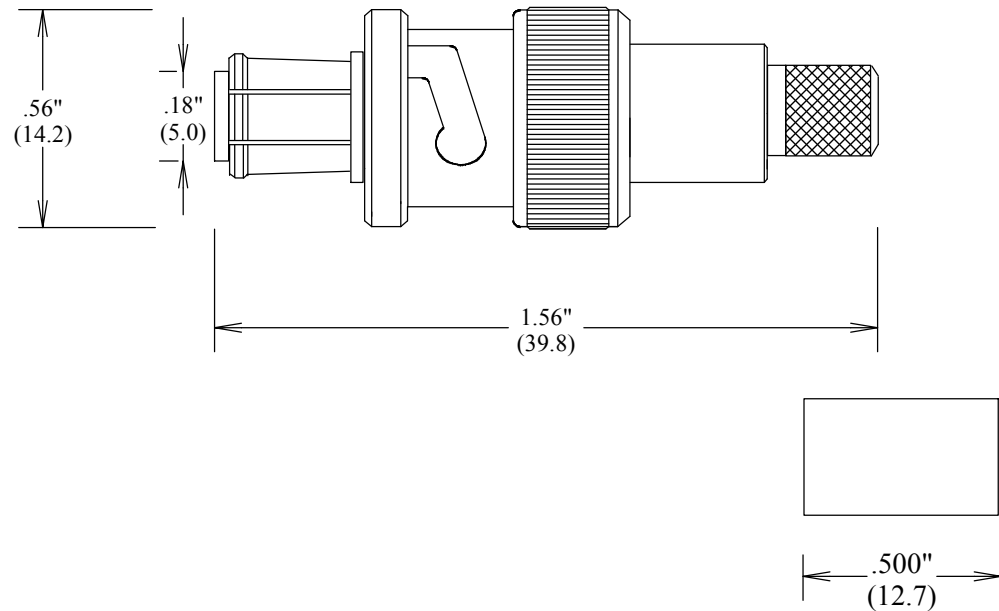
FREQUENCY: 50 MHZ  
IMPEDANCE: 50 OHMS

TEMPERATURE RANGE: -55 TO +110 DEG C

### MATERIALS

BODY: NICKEL PLATED BRASS  
CONTACTS: NICKEL PLATED BRASS  
CONTACT PLATING: Si PLATING

ROHS COMPLIANT



**FAIRVIEW MICROWAVE INC.**

ALLEN, TX 75013 WWW.FAIRVIEWMICROWAVE.COM

TITLE

**CONNECTOR SHV RG59 CRIMP**

SIZE	CAGE CODE	DWG NO	REV
<b>A</b>	<b>3FKR5</b>	<b>SC6517</b>	--
SCALE		SHEET	

ALL DIMENSIONS IN inches(MM) Typical