

SMA-M CONNECTOR RG316DS CRIMP

SC7065

SPECIFICATIONS

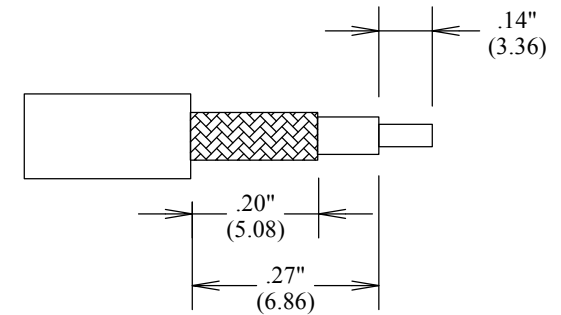
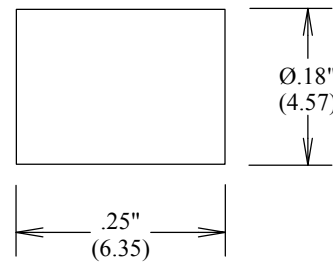
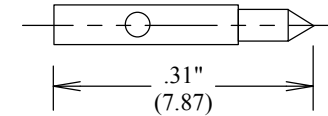
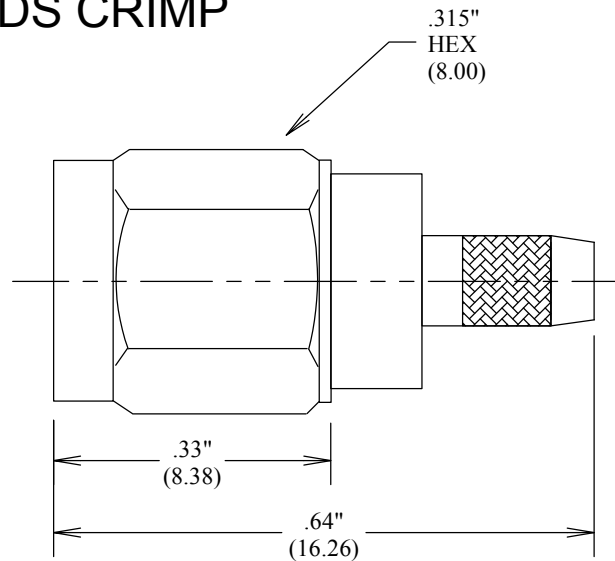
ELECTRICAL:

FREQUENCY: 0-18 GHZ
 VSWR 1.3:1 MAX
 IMPEDANCE: 50 OHMS
 OP. TEMP RANGE: -55°C- TO +155°C

MECHANICAL:

MATERIAL BODY: STAINLESS STEEL
 CENTER CONTACT: BRASS
 CONTACT PLATING: Au MIL-G-45204
 INSULATOR: TEFLON
 INTERFACE: MIL-STD-348A

ROHS COMPLIANT



STRIPPING DIMENSIONS

FAIRVIEW MICROWAVE INC.

ALLEN, TX 75013 WWW.FAIRVIEWMICROWAVE.COM

TITLE

SMA-M CONNECTOR RG316DS CRIMP

SIZE	CAGE CODE	DWG NO	REV
A	3FKR5	SC7065	--
SCALE		SHEET	

ALL DIMENSIONS IN inches(MM) Typical