

SMA-F BULKHEAD RG174, RG316 CRIMP CONNECTOR

SC7075

SPECIFICATIONS

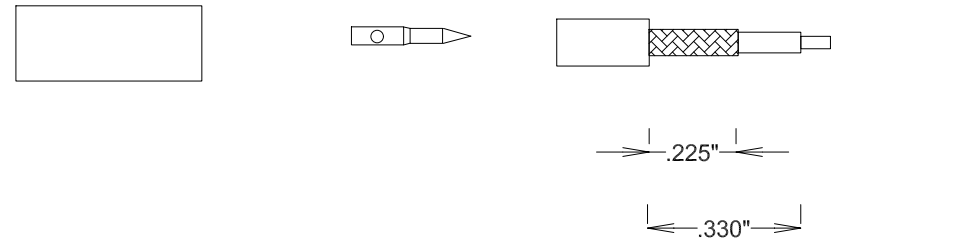
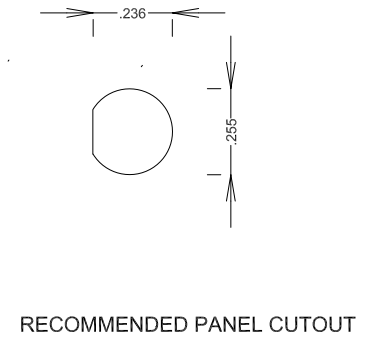
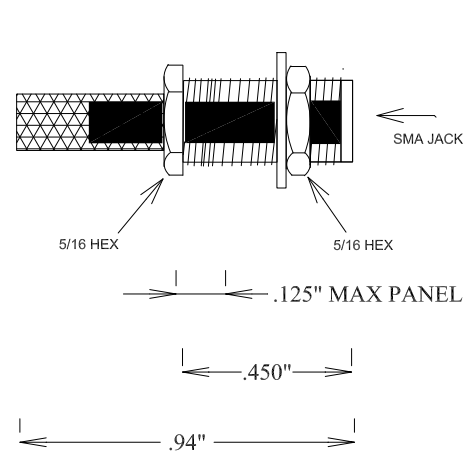
ELECTRICAL:

FREQUENCY: 0-18 GHZ
 VSWR 1.3:1 MAX
 IMPEDANCE: 50 OHMS
 OP. TEMP RANGE: -55C- +155C

MECHANICAL:

MATERIAL BODY: PASSIVATED S STEEL
 CENTER CONTACT: BeCu
 CONTACT PLATING: Au MIL-G-45204
 INSULATOR: TEFLON
 INTERFACE: MIL-STD-348A

ROHS COMPLIANT



				FAIRVIEW MICROWAVE INC.			
				ALLEN, TX 75013 WWW.FAIRVIEWMICROWAVE.COM			
				TITLE			
				SMA-F BULKHEAD RG174, RG316 CRIMP CONNECTOR			
SIZE		CAGE CODE		DWG NO		REV	
A		3FKR5		SC7075		A	
SCALE				SHEET			