

# SMA BULKHEAD JACK RECEPTACLE

SC7105

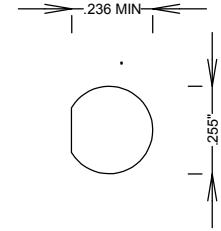
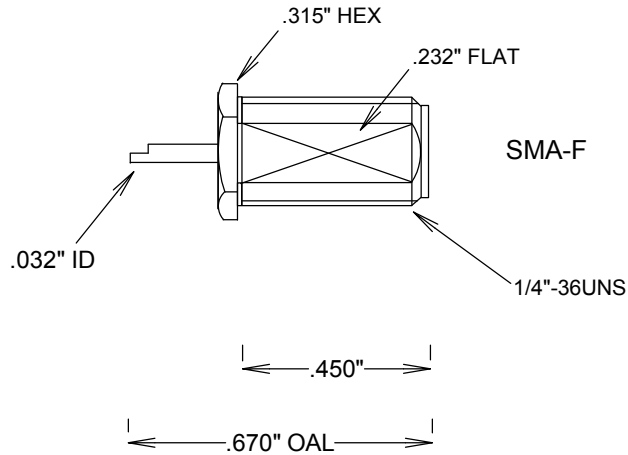
## SPECIFICATIONS

### ELECTRICAL:

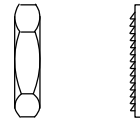
FREQUENCY: 0-18 GHZ  
 IMPEDANCE: 50 OHMS  
 OP. TEMP RANGE: -55C to +155C

### MECHANICAL:

MATERIAL BODY: PASS. STAINLESS STEEL  
 CENTER CONTACT: BeCu ASTM B196  
 CONTACT PLATING: Au 50μ" MIL-G-45204  
 CAPTIVATED CONTACT  
 INSULATOR: TEFLON ASTM D457 D1710  
 INTERFACE: MIL-STD-883A  
 ROHS COMPLIANT



MOUNTING HOLE



**FAIRVIEW MICROWAVE INC.**

ALLEN, TX 75013 WWW.FAIRVIEWMICROWAVE.COM

TITLE

**SMA BULKHEAD JACK RECEPTACLE**

SIZE	CAGE CODE	DWG NO	REV
<b>A</b>	<b>3FKR5</b>	<b>SC7105</b>	--
SCALE	SHEET		