

## SMA Female Bulkhead Connector Solder Cup Terminal Solder Attachment

SMA female bulkhead connector with solder cup terminal, part number SC7109, from Fairview Microwave is in-stock and ships same day. This SMA female connector operates up to a maximum frequency of 18 GHz and offers excellent VSWR of 1.23:1. Fairview's SC7109 bulkhead SMA connector enables designers to make external connections on product enclosures, and can be used in a variety of other rack mount and panel mount applications.

Fairview's SMA female bulkhead connector SC7109 datasheet specifications and outline drawing are shown in this PDF below. Our extensive offering of RF, microwave and millimeter wave connectors allows designers to configure and customize their signal connections however they like. From providing an I/O for a board design to creating a custom cable assembly configuration, Fairview Microwave has a connector solution to meet your needs. Fairview Microwave also has the expertise to build your custom cable assemblies for you and ship them same-day.

### Electrical Specifications

Description	Min	Typ	Max	Units
Frequency Range	DC		18	GHz
VSWR			1.23:1	
Operating Voltage (AC)			500	Vrms

### Mechanical Specifications

<b>Size</b>	
Length	0.669 in [16.99 mm]
Weight	0.00529 lbs [2.4 g]

### Material Specifications

Description	Material	Plating
Contact	Beryllium Copper	Gold 50 µin minimum
Insulation	PTFE	
Outer Conductor	Stainless Steel	Gold 3 µin minimum

### Environmental Specifications

<b>Temperature</b>	
Operating Range	-65 to +165 deg C

**Compliance Certifications** (see [product page](#) for current document)

### Plotted and Other Data

Notes:



### Configuration:

- SMA Female Connector
- MIL-STD-348A
- 50 Ohms
- Straight Body Geometry
- Solder Cup Interface Type
- Solder Attachment
- Bulkhead

### Features:

- Operating Frequency of 18 GHz Max.
- Excellent VSWR of 1.23:1
- Gold Plated Beryllium Copper Contact
- 50 µin minimum contact plating

### Applications:

- General Purpose Test
- Rack and Panel Mount Applications

Fairview Microwave  
 1130 Junction Dr. #100  
 Allen, TX 75013  
 Tel: 1-800-715-4396 / (972) 649-6678  
 Fax: (972) 649-6689  
[www.fairviewmicrowave.com](http://www.fairviewmicrowave.com)  
[sales@fairviewmicrowave.com](mailto:sales@fairviewmicrowave.com)

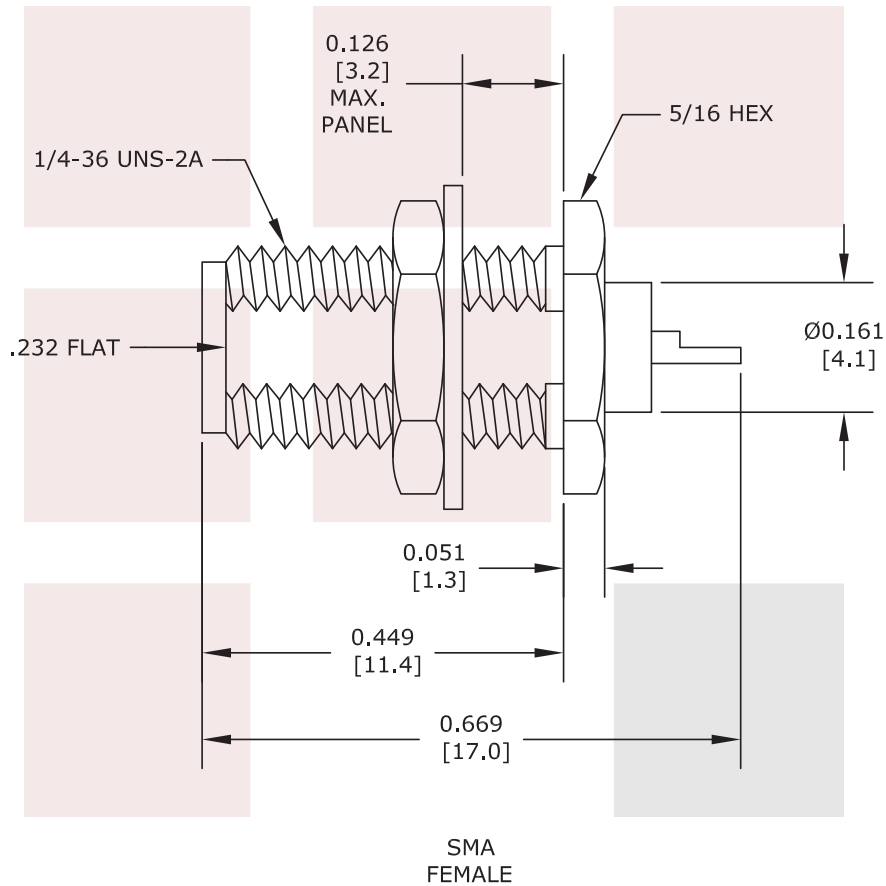
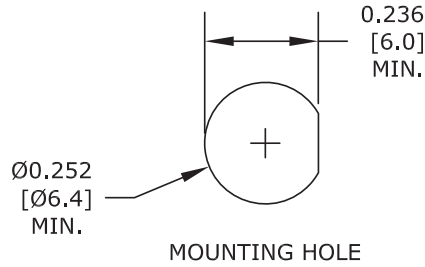
SMA Female Bulkhead Connector Solder Cup Terminal Solder Attachment from Fairview Microwave is in-stock and available to ship same-day. All of our RF/microwave products are available off-the-shelf from our ISO 9001:2008 certified facilities in Allen, Texas. Fairview Microwave is RF on-demand.

For additional information on this product, please click the following link: [SMA Female Bulkhead Connector Solder Cup Terminal Solder Attachment SC7109](#)

URL: <https://www.fairviewmicrowave.com/sma-female-standard-solder-cup-terminal-connector-sc7109-p.aspx>

The information contained in this document is accurate to the best of our knowledge and representative of the part described herein. It may be necessary to make modifications to the part and/or the documentation of the part, in order to implement improvements. Fairview Microwave reserves the right to make such changes as required. Unless otherwise stated, all specifications are nominal. Fairview Microwave does not make any representation or warranty regarding the suitability of the part described herein for any particular purpose, and Fairview Microwave does not assume any liability arising out of the use of any part or documentation.





STANDARD TOLERANCES	
.X	±0.2
.XX	±0.1
.XXX	±0.05

\*STANDARD TOLERANCES APPLY ONLY TO DIMENSIONS IN INCHES

**FAIRVIEW MICROWAVE INC.**  
 ALLEN, TX 75013 WWW.FAIRVIEWMICROWAVE.COM

NOTES:  
 1. UNLESS OTHERWISE SPECIFIED ALL DIMENSIONS ARE NOMINAL.  
 2. ALL SPECIFICATIONS ARE SUBJECT TO CHANGE WITHOUT NOTICE AT ANY TIME.  
 3. DIMENSIONS ARE IN INCHES [mm].

TITLE	DWG NO	CAGE CODE	
SMA Female Bulkhead Connector Solder Cup Terminal Solder Attachment	SC7109	3FKR5	
	CAD FILE 120716 SHEET	SCALE N/A	SIZE A 41742