

# SMA PANEL MOUNT SOLDER POT

SC7485

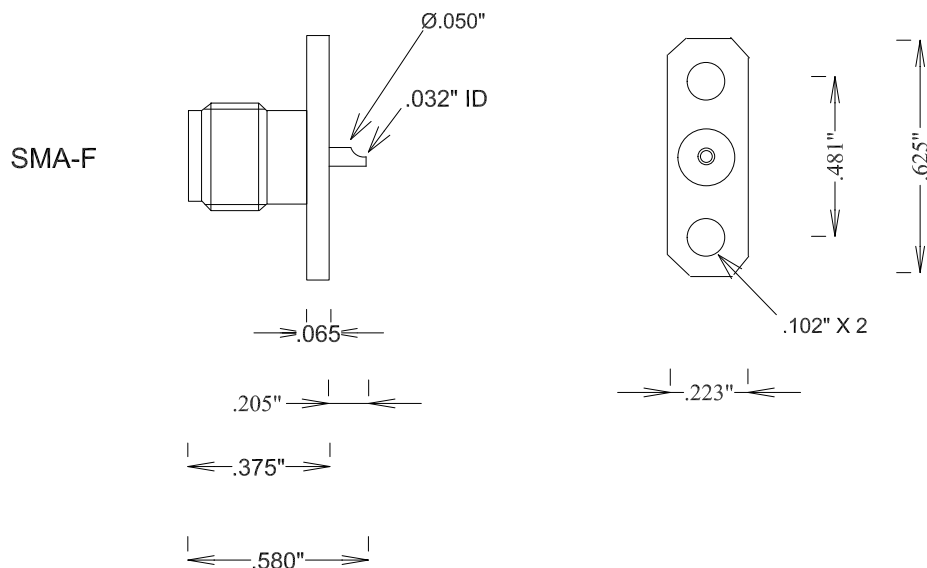
## SPECIFICATIONS

### ELECTRICAL:

FREQUENCY: 0-18 GHZ  
 IMPEDANCE: 50 OHMS  
 OP. TEMP RANGE: -55C to +155C

### MECHANICAL:

MATERIAL BODY: PASSIVATED STAINLESS STEEL  
 CENTER CONTACT: BeCu  
 CONTACT PLATING: Au MIL-G-45204  
 INSULATOR: TEFLON  
 INTERFACE: MIL-STD-883A  
 OP. TEMP RANGE: -55C to +155°C  
 CAPTIVATED CONTACT  
 ROHS COMPLIANT



				<b>FAIRVIEW MICROWAVE INC.</b>			
				ALLEN, TX 75013 WWW.FAIRVIEWMICROWAVE.COM			
				TITLE			
				SMA PANEL MOUNT SOLDER POT			
SIZE		CAGE CODE		DWG NO		REV	
A		3FKR5		SC7485		A	
SCALE				SHEET			