

SMA PANEL MOUNT TAB CONTACT

SC7582

SPECIFICATIONS

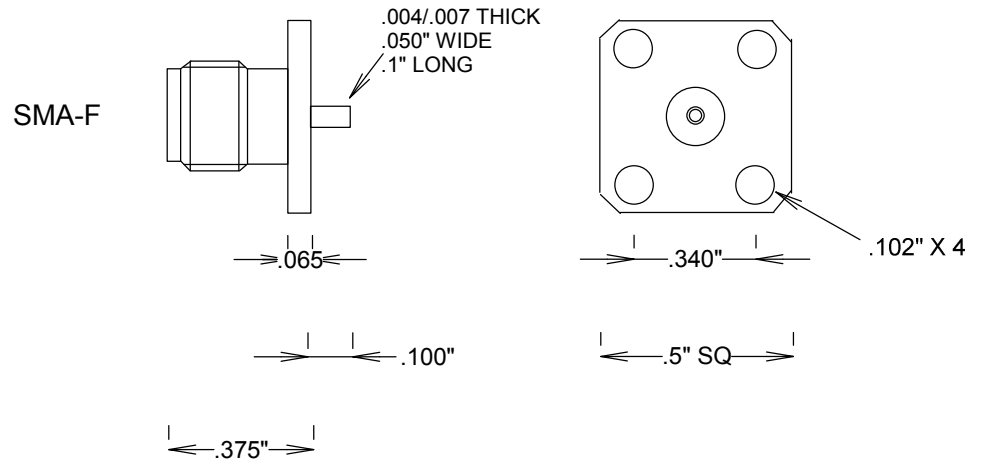
ELECTRICAL:

FREQUENCY: 0-18 GHZ
 IMPEDANCE: 50 OHMS

MECHANICAL:

MATERIAL BODY: PASSIVATED STAINLESS STEEL
 BODY PLATING: Au
 CENTER CONTACT: BeCu
 CONTACT PLATING: Au MIL-G-45204
 INSULATOR: TEFLON
 INTERFACE: MIL-STD-883A
 OP. TEMP RANGE: -55C to +155C
 ROHS COMPLIANT

NON-CAPTIVATED TAB



NON-CAPTIVATED TAB

				FAIRVIEW MICROWAVE INC.	
				ALLEN, TX 75013 WWW.FAIRVIEWMICROWAVE.COM	
				TITLE	
				SMA PANEL MOUNT TAB CONTACT	
SIZE	CAGE CODE	DWG NO	REV		
A	3FKR5	SC7582	--		
SCALE			SHEET		