

# SMA PCB THROUGH HOLE

SC8051

## SPECIFICATIONS

### ELECTRICAL

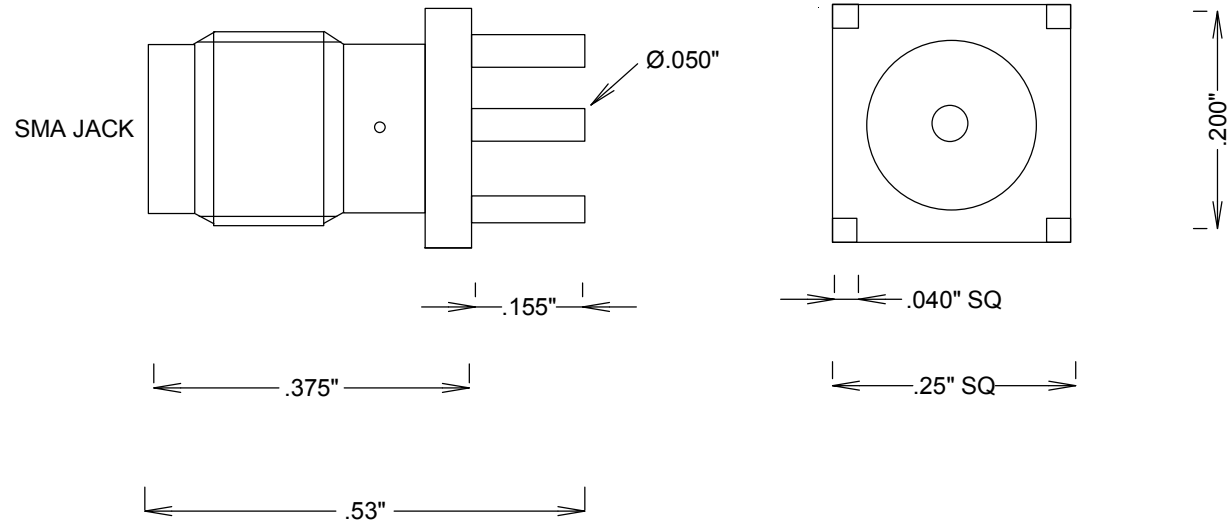
50 OHMS  
 VSWR 1.25:1 MAX @ 12 GHZ  
 FREQUENCY: 0-12 GHZ

### MECHANICAL

MATERIAL BODY: AU PLATED BRASS  
 MATERIAL CONTACTS: BeCu  
 CONTACT PLATING: Au MIL-G-45204  
 CAPTIVATED PIN  
 INTERFACE MIL-STD-348  
 INSULATION: TEFLON  
 ROHS COMPLIANT

### ENVIRONMENTAL

-65 DEG C TO +165 DEG C



**FAIRVIEW MICROWAVE INC.**

ALLEN, TX 75013 WWW.FAIRVIEWMICROWAVE.COM

TITLE

**SMA PCB THROUGH HOLE**

SIZE	CAGE CODE	DWG NO	REV
<b>A</b>	<b>3FKR5</b>	<b>SC8051</b>	--

SCALE

SHEET