

## SMA Female (Jack) Bulkhead PCB Connector .052 inch End Launch, Solder, Gold Plated Brass Body, Length 0.645 In

SMA female bulkhead connector with solder attachment for .052 inch end launch PCB, part number SC8438, from Fairview Microwave is in-stock and ships same day. This SMA female connector operates up to a maximum frequency of 18 GHz and offers excellent VSWR of 1.23:1. Fairview's SC8438 bulkhead SMA connector enables designers to make external connections on product enclosures, and can be used in a variety of other rack mount and panel mount applications.

Fairview's SMA female bulkhead connector SC8438 datasheet specifications and outline drawing are shown in this PDF below. Our extensive offering of RF, microwave and millimeter wave connectors allows designers to configure and customize their signal connections however they like. From providing an I/O for a board design to creating a custom cable assembly configuration, Fairview Microwave has a connector solution to meet your needs. Fairview Microwave also has the expertise to build your custom cable assemblies for you and ship them same-day.



### Configuration:

- SMA Female Connector
- MIL-STD-348A
- 50 Ohms
- Straight Body Geometry
- .052 inch End Launch Interface Type
- Solder Attachment
- Bulkhead
- 5/16 inch Hex

### Electrical Specifications

Description	Min	Typ	Max	Units
Frequency Range	DC		18	GHz
VSWR			1.23:1	
Operating Voltage (AC)			500	Vrms

### Features:

- Operating Frequency of 18 GHz Max.
- Excellent VSWR of 1.23:1
- Gold Plated Beryllium Copper Contact
- 50 µin minimum contact plating

### Mechanical Specifications

Size	
Length	0.645 in [16.38 mm]
Width/Dia.	0.25 in [6.35 mm]
Height	0.25 in [6.35 mm]
Weight	0.0095 lbs [4.31 g]

### Applications:

- General Purpose Test
- Rack and Panel Mount Applications
- PCB Applications

### Material Specifications

Description	Material	Plating
Contact	Beryllium Copper	Gold 50 µin minimum
Insulation	PTFE	
Outer Conductor	Brass	Gold 3 µin minimum

### Environmental Specifications

Temperature	
Operating Range	-65 to +165 deg C

### Compliance Certifications (see [product page](#) for current document)

### Plotted and Other Data

Notes:

Fairview Microwave  
 301 Leora Ln., Suite 100  
 Lewisville, TX 75056  
 Tel: 1-800-715-4396 / (972) 649-6678  
 Fax: (972) 649-6689  
[www.fairviewmicrowave.com](http://www.fairviewmicrowave.com)  
[sales@fairviewmicrowave.com](mailto:sales@fairviewmicrowave.com)

SMA Female (Jack) Bulkhead PCB Connector .052 inch End Launch, Solder, Gold Plated Brass Body, Length 0.645 In from Fairview Microwave is in-stock and available to ship same-day. All of our RF/microwave products are available off-the-shelf from our ISO 9001:2008 certified facilities in Lewisville, Texas. Fairview Microwave is RF on-demand.

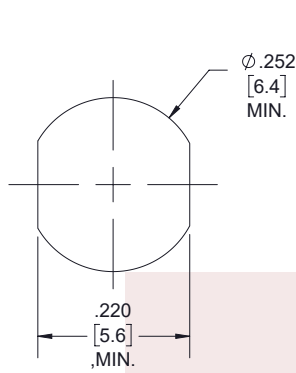
For additional information on this product, please click the following link: [SMA Female \(Jack\) Bulkhead PCB Connector .052 inch End Launch, Solder, Gold Plated Brass Body, Length 0.645 In SC8438](#)

URL: <https://www.fairviewmicrowave.com/sma-female-standard-0.052-end-launch-pcb-connector-sc8438-p.aspx>

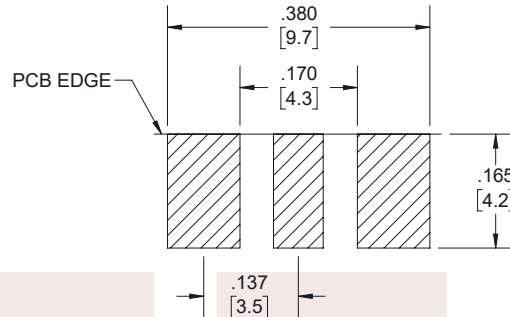
The information contained in this document is accurate to the best of our knowledge and representative of the part described herein. It may be necessary to make modifications to the part and/or the documentation of the part, in order to implement improvements. Fairview Microwave reserves the right to make such changes as required. Unless otherwise stated, all specifications are nominal. Fairview Microwave does not make any representation or warranty regarding the suitability of the part described herein for any particular purpose, and Fairview Microwave does not assume any liability arising out of the use of any part or documentation.



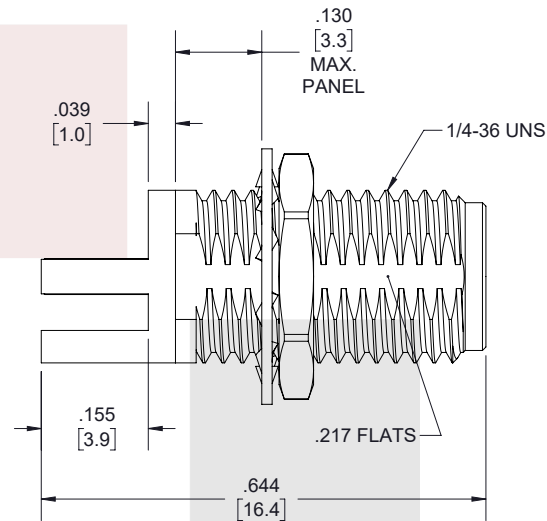
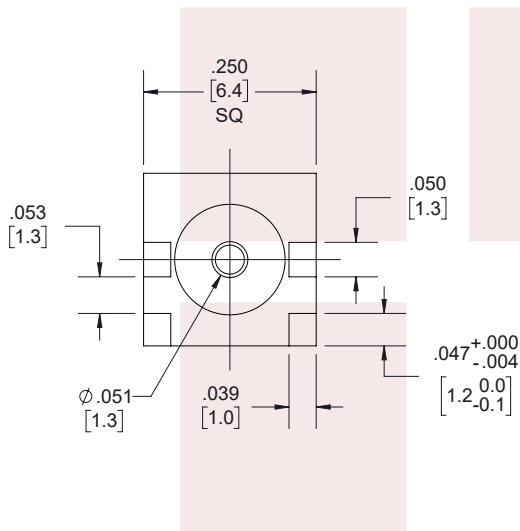
REVISIONS			
REV.	DESCRIPTION	DATE	APPROVED
B	PCR SC8438 20220916	10/5/2022	SRAUTUS



MOUNTING HOLE



RECOMMENDED  
LAND PATTERN



SMA  
FEMALE

THESE COMMODITIES, TECHNOLOGY OR SOFTWARE WERE EXPORTED FROM THE UNITED STATES IN ACCORDANCE WITH THE EXPORT ADMINISTRATION REGULATIONS. DIVERSION CONTRARY TO U.S. LAW PROHIBITED.

TITLE

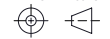
SMA Female (Jack) Bulkhead PCB Connector .052 inch End Launch, Solder, Gold Plated Brass Body, Length 0.645 In

UNLESS OTHERWISE SPECIFIED LEADING DIMENSIONS ARE INCHES DIMENSIONS IN [ ] ARE MILLIMETERS

TOLERANCES: CABLE LENGTH (L) TOLERANCES:

.X = ±.2 [5.08]	FRACTIONS ± 1/32	L ≤ 12 [305] = +1 [25] / -0
.XX = ±.02 [51]	ANGLES ± 1°	12 [305] < L ≤ 60 [1524] = +2 [51] / -0
.XXX = ±.005 [13]		60 [1524] < L ≤ 120 [3048] = +4 [102] / -0
		120 [3048] < L ≤ 300 [7620] = +6 [152] / -0
		300 [7620] < L = +5%L / -0

THIRD-ANGLE PROJECTION



THE INFORMATION AND DESIGN IN THIS DOCUMENT IS THE PROPERTY OF FAIRVIEW MICROWAVE CORPORATION. ALL RIGHTS RESERVED.

SHEET 1 OF 1

SCALE N/A

ALL DIMENSIONS SHOWN ARE FOR REFERENCE ONLY.

SIZE A	CAGE CODE 3FKR5	DRAWN BY DMAY	ITEM NO. SC8438	REV B
-----------	--------------------	------------------	--------------------	----------

T-Rev.D