

SMA BULKHEAD EDGE LAUNCH .056" BRD

SC8441

SPECIFICATIONS

ELECTRICAL

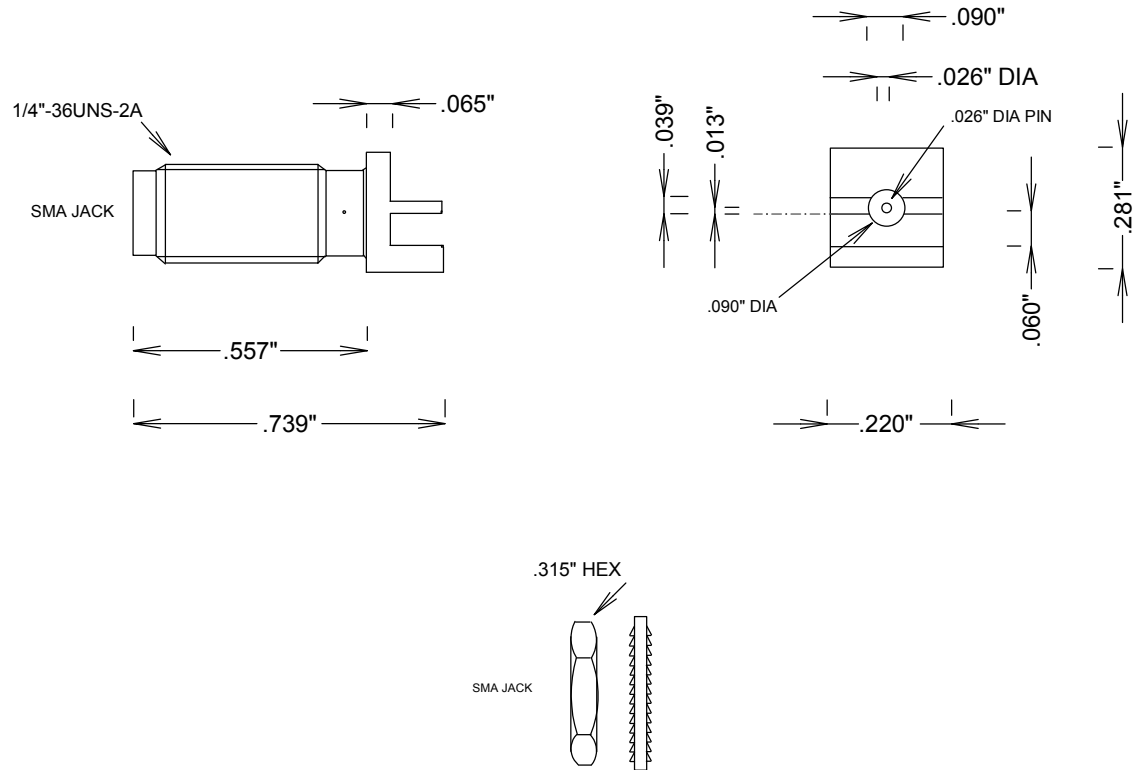
50 OHMS
VSWR 1.25:1 MAX @ 18 GHZ
FREQUENCY: 0-18 GHZ

MECHANICAL

MATERIAL BODY: AU PLATED BRASS
MATERIAL CONTACTS: BeCu
CONTACT PLATING Au MIL-G-45204
CAPTIVATED CONTACT
INTERFACE MIL-STD-348
INSULATION: TEFLON
ROHS COMPLIANT

ENVIRONMENTAL

-65 DEG C TO +165 DEG C



FAIRVIEW MICROWAVE INC.

ALLEN, TX 75013 WWW.FAIRVIEWMICROWAVE.COM

TITLE

**SMA BULKHEAD EDGE LAUNCH
.056" BRD**

SIZE	CAGE CODE	DWG NO	REV
A	3FKR5	SC8441	--
SCALE		SHEET	