

SMC Jack Bulkhead PCB Connector 0.062 inch End Launch Solder Attachment

Configuration

Connector SMC Jack

Electrical Specifications*

Description	Min	Typ	Max	Units
Frequency Range	DC		10	GHz
Impedance		50		Ohms

* Values at 25°C, sea level

Mechanical Specifications

Size

Length 0.687 in [17.45 mm]
Width/Dia. 0.3 in [7.62 mm]

Connector

Type SMC Jack
Contact Material and Plating Brass, Gold
Outer Conductor Material and Plating Brass, Gold
Body Material and Plating Brass, Gold
Dielectric Type PTFE

Compliance Certifications (visit www.FairviewMicrowave.com for current document)

Plotted and Other Data

Notes:

- Values at +25 °C, sea level

SMC Jack Bulkhead PCB Connector 0.062 inch End Launch Solder Attachment from Fairview Microwave is in-stock and available to ship same-day. All of our RF/microwave products are available off-the-shelf from our ISO 9001:2008 certified facilities in Allen, Texas. Fairview Microwave is RF on-demand.

For additional information on this product, please click the following link: [SMC Jack Bulkhead PCB Connector 0.062 inch End Launch Solder Attachment SC8804](#)

URL: <http://www.fairviewmicrowave.com/smc-jack-standard-0.062-end-launch-pcb-connector-sc8804-p.aspx>

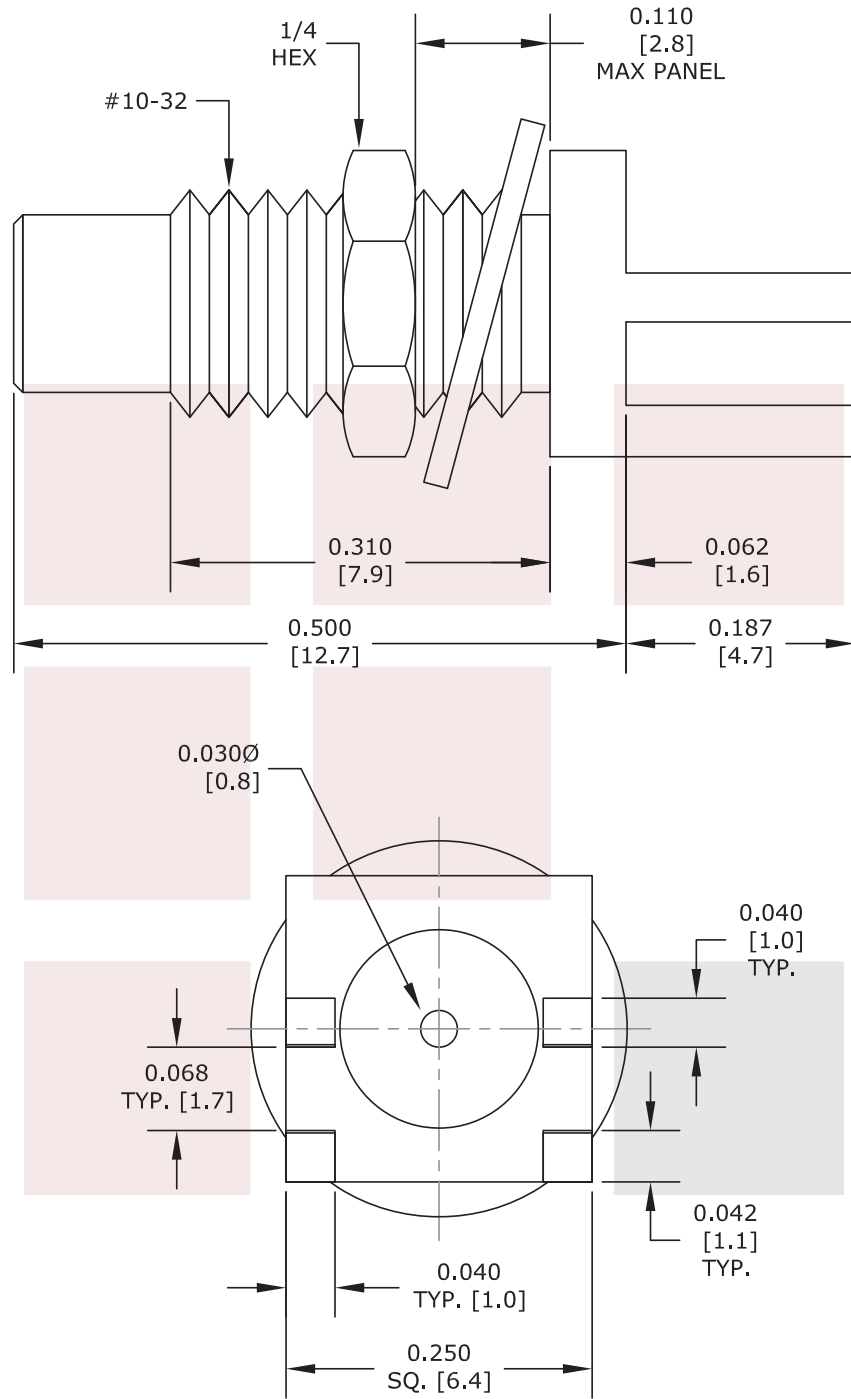
The information contained in this document is accurate to the best of our knowledge and representative of the part described herein. It may be necessary to make modifications to the part and/or the documentation of the part, in order to implement improvements. Fairview Microwave reserves the right to make such changes as required. Unless otherwise stated, all specifications are nominal. Fairview Microwave does not make any representation or warranty regarding the suitability of the part described herein for any particular purpose, and Fairview Microwave does not assume any liability arising out of the use of any part or documentation.



Features:

- Interface: 0.062 inch End Launch
- Attachment: Solder
- Body Style: Straight
- Mount Method: Bulkhead

Fairview Microwave
1130 Junction Dr. #100
Allen, TX 75013
Tel: 1-800-715-4396 / (972) 649-6678
Fax: (972) 649-6689
www.fairviewmicrowave.com
sales@fairviewmicrowave.com



FAIRVIEW MICROWAVE INC. ALLEN, TX 75013 WWW.FAIRVIEWMICROWAVE.COM		NOTES: 1. UNLESS OTHERWISE SPECIFIED ALL DIMENSIONS ARE NOMINAL. 2. ALL SPECIFICATIONS ARE SUBJECT TO CHANGE WITHOUT NOTICE AT ANY TIME. 3. DIMENSIONS ARE IN INCHES [mm].			
TITLE SMC Jack Bulkhead PCB Connector 0.062 inch End Launch Solder Attachment		DWG NO SC8804		CAGE CODE 3FKR5	
CAD FILE	082114	SHEET	SCALE	N/A	SIZE A 2233