

# N-F PANEL POST CONTACT

SC9247

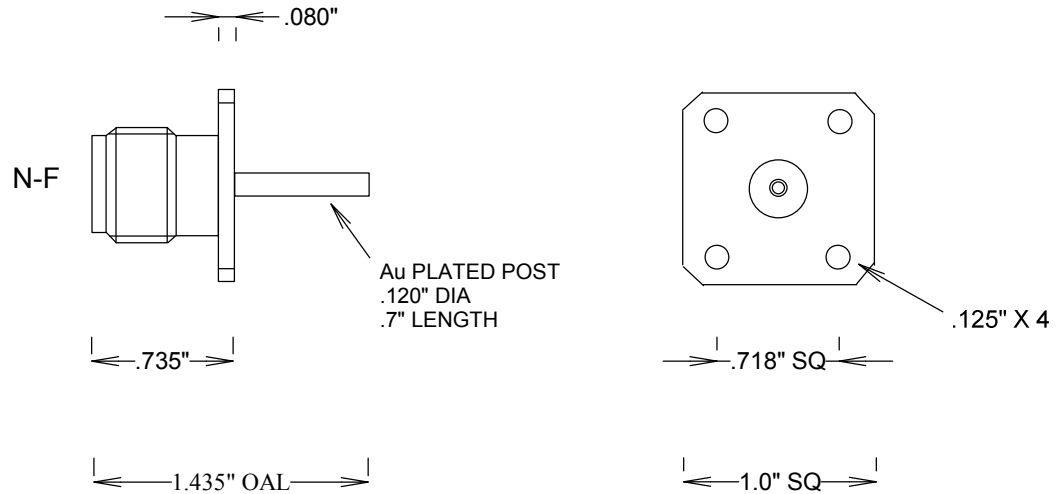
## SPECIFICATIONS

### ELECTRICAL:

FREQUENCY: 0-11 GHZ  
 IMPEDANCE: 50 OHMS

### MECHANICAL:

MATERIAL BODY: BRASS, TRIMETAL PLATING  
 CENTER CONTACT: BeCu  
 CONTACT PLATING: Au MIL-G-45204  
 POST PLATING: Au  
 CAPTIVATED CONTACT  
 INSULATOR: TEFLON  
 INTERFACE: MIL-STD-883A  
 N: MIL-PRF-39012  
 OP. TEMP RANGE: -55°C to +165°C  
 ROHS COMPLIANT



**FAIRVIEW MICROWAVE INC.**

ALLEN, TX 75013 WWW.FAIRVIEWMICROWAVE.COM

TITLE

**N-F PANEL POST CONTACT**

SIZE	CAGE CODE	DWG NO	REV
<b>A</b>	<b>3FKR5</b>	<b>SC9247</b>	--
SCALE		SHEET	