

N-F PANEL SLOTTED CONTACT

SC9263

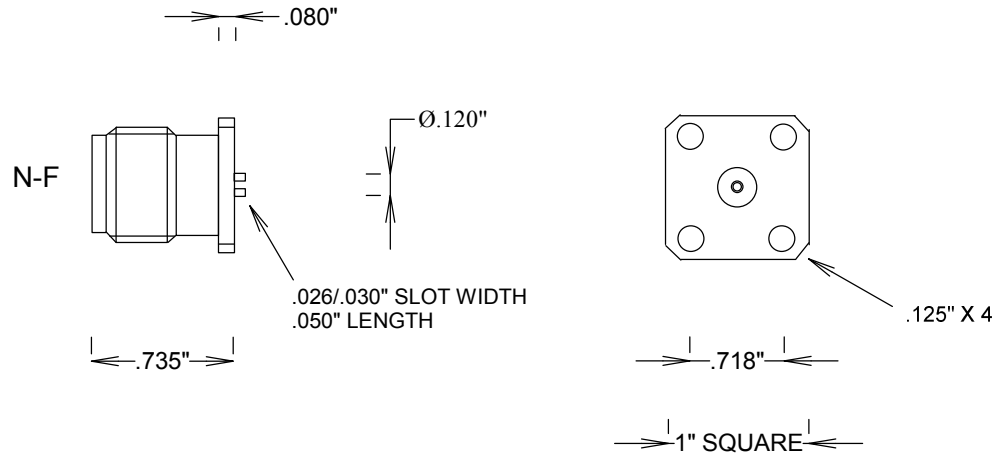
SPECIFICATIONS

ELECTRICAL:

FREQUENCY: 0-11 GHZ
 IMPEDANCE: 50 OHMS

MECHANICAL:

MATERIAL BODY: BRASS Si PLATING
 CENTER CONTACT: BeCu
 CONTACT PLATING: Au MIL-G-45204
 CAPTIVATED CONTACT
 INSULATOR: TEFLON
 INTERFACE: MIL-STD-883A
 N: MIL-PRF-39012
 OP. TEMP RANGE: -55°C to +165°C
 ROHS COMPLIANT



				FAIRVIEW MICROWAVE INC.			
				ALLEN, TX 75013 WWW.FAIRVIEWMICROWAVE.COM			
				TITLE			
				N-F PANEL SLOTTED CONTACT			
SIZE		CAGE CODE		DWG NO		REV	
A		3FKR5		SC9263		A	
SCALE				SHEET			