

N-F BULKHEAD .086 SR

SC9308

SPECIFICATIONS

ELECTRICAL:

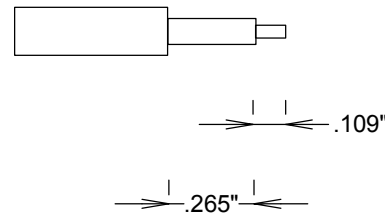
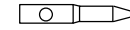
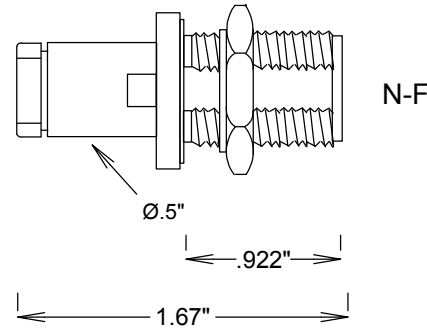
FREQUENCY: 0-11 GHZ
 VSWR 1.3:1 MAX
 IMPEDANCE: 50 OHMS

MECHANICAL:

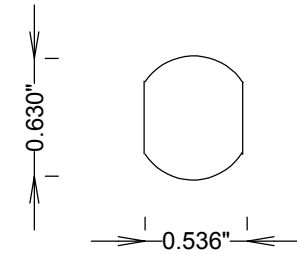
MATERIAL BODY: NICKLE PLATED BRASS
 CENTER CONTACT: BeCu
 CONTACT PLATING: Au MIL-G-45204
 INSULATOR: TEFLON
 INTERFACE: MIL-STD-348B
 ROHS COMPLIANT
 OP. TEMP RANGE: -55°C- +155°C

ASSEMBLY INSTRUCTIONS:

TRIM CABLE AS SHOWN;
 SLIDE BACKNUT, WASHER, GASKET,
 FERRULE ON CABLE;
 SOLDER FERRULE TO JACKET;
 SOLDER CONTACT ONTO CENTER CONDUCTOR,
 BACK OF CONTACT FLUSH WITH DIELECTRIC;
 INSERT ASSEMBLY INTO BODY, TIGHTEN NUT



STRIPPING DIMENSIONS



RECOMMENDED
 PANEL CUTOUT

FAIRVIEW MICROWAVE INC.

ALLEN, TX 75013 WWW.FAIRVIEWMICROWAVE.COM

TITLE

N-F BULKHEAD .086 SR

SIZE	CAGE CODE	DWG NO	REV
A	3FKR5	SC9308	--
SCALE	SHEET		