

TNC/M-TNC/M FLEXIBLE CABLES 1GHZ RG58DS

SCB11988-XX

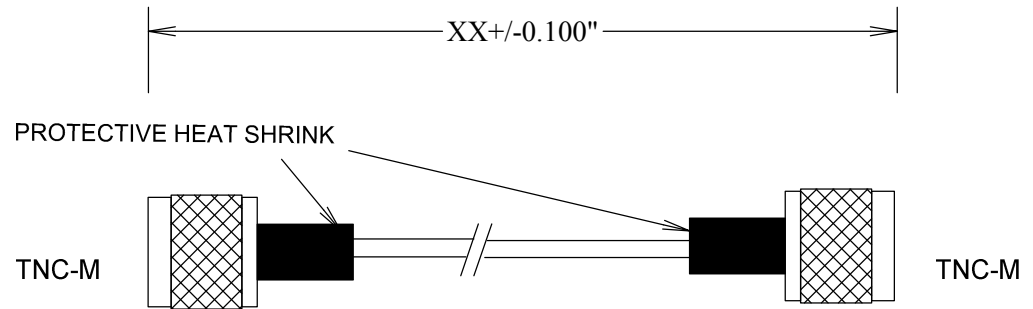
SPECIFICATIONS

CABLE ASSEMBLY:
VSWR: 1.2:1 @ <1GHZ TYPICAL

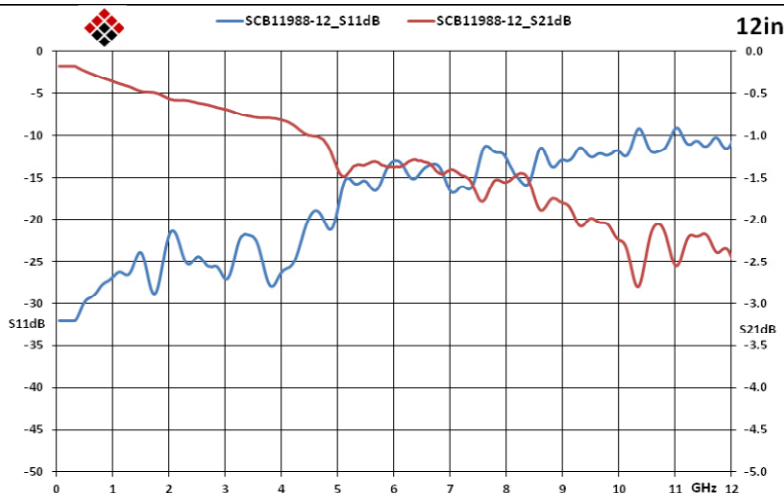
RAW CABLE: RG58DS
TYPICAL LOSS (EXCLUDING CONNECTORS)
@1GHZ: 0.15 DB/FT

CONNECTORS:
BNC: BRASS
CONTACTS Au PLATING
INTERFACE: MIL-STD-348A

OP TEMP: -55-110°C



MEASUREMENTS BELOW ARE TYPICAL



ALL DIMENSIONS IN inches(MM) Typical

FAIRVIEW MICROWAVE INC.

ALLEN, TX 75013 WWW.FAIRVIEWMICROWAVE.COM

TITLE

TNC/M-TNC/M FLEXIBLE CABLES 1GHZ RG58DS

SIZE

A

CAGE CODE

3FKR5

DWG NO

SCB11988-XX

REV

--

SCALE

SHEET