

# BNC/M-BNC/F/BKHD FLEXIBLE CABLE 1GHZ RG58

SCB15354-XX

## SPECIFICATIONS

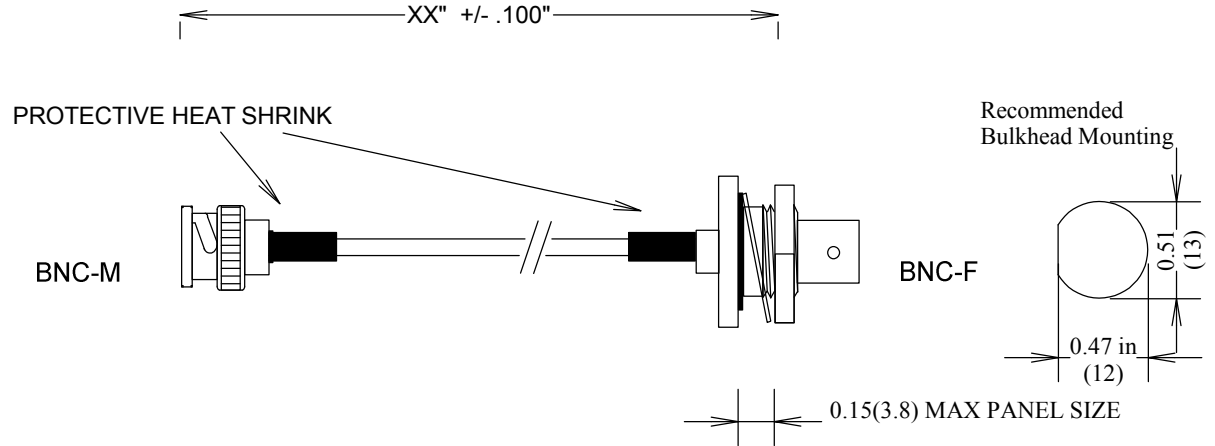
CABLE ASSEMBLY:  
VSWR:1.2:1 @<1GHZ TYPICAL

RAW CABLE: RG58  
TYPICAL LOSS (EXCLUDING CONNECTORS)  
@1GHZ: 0.15 DB/FT  
@2GHZ: 0.22 DB/FT  
@3GHZ:0.28 DB/FT

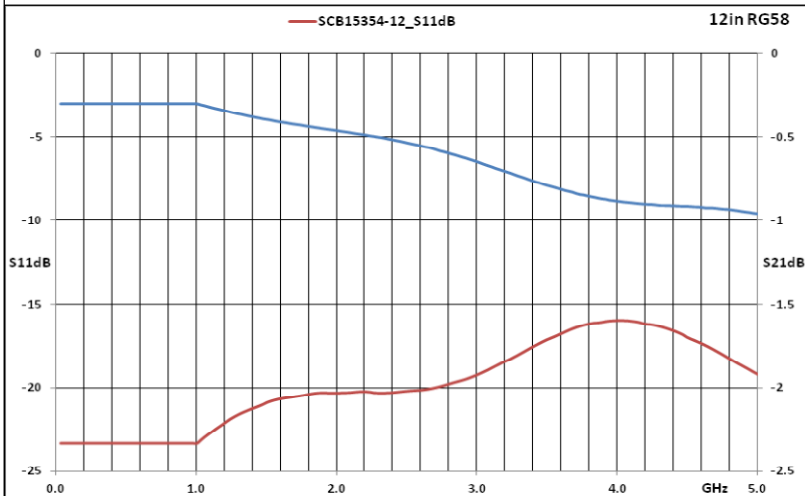
OUTER SHIELD DIAMETER: .195"

CONNECTORS:  
BRASS  
CONTACTS Au PLATING  
INTERFACE: MIL-STD-348A

OP TEMP: -55-110°C  
ROHS COMPLIANT



MEASUREMENTS BELOW ARE TYPICAL



ALL DIMENSIONS IN inches(MM) Typical

**FAIRVIEW MICROWAVE INC.**

ALLEN, TX 75013 WWW.FAIRVIEWMICROWAVE.COM

TITLE

BNC/M-BNC/F/BKHD FLEXIBLE CABLE 1GHZ RG58

SIZE CAGE CODE DWG NO

A

3FKR5

SCB15354-XX

REV

--

SCALE

SHEET