

SMA/M-N/M FLEXIBLE CABLES 6GHz LMR240

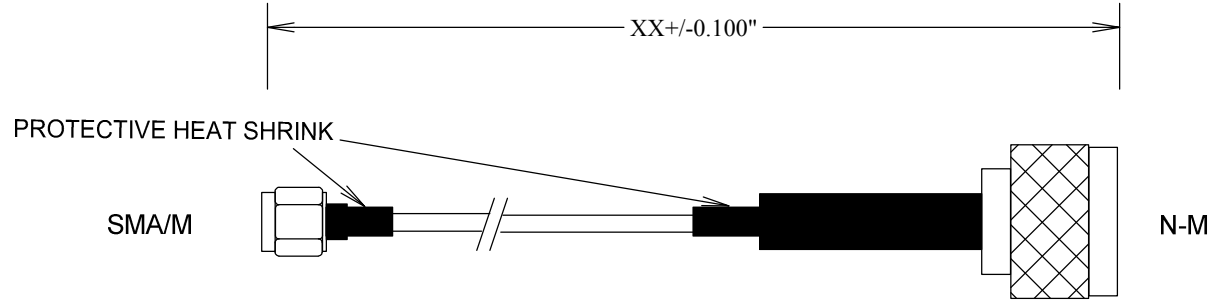
SCB15835-XX

SPECIFICATIONS

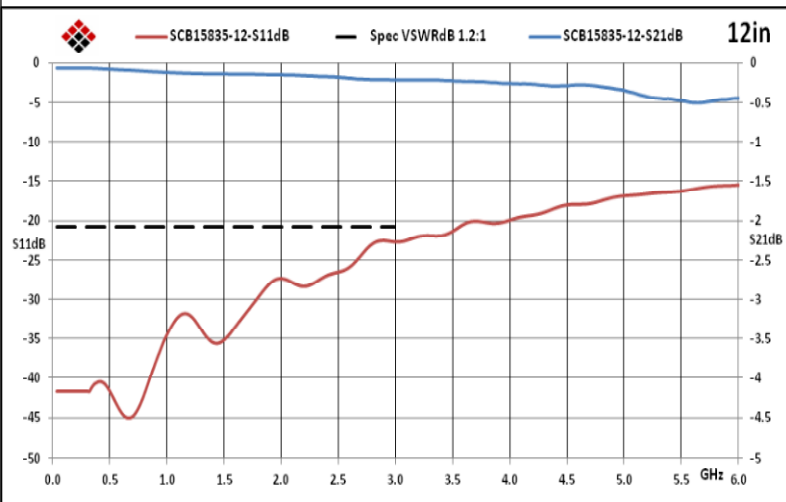
CABLE ASSEMBLY:
VSWR:1.2:1 @ < 6GHz TYPICAL

RAW CABLE: LMR240
TYPICAL LOSS (EXCLUDING CONNECTORS)
@0.5GHz 0.06 dB/ft
@1GHz 0.08dB/ft
@2GHz 0.11dB/ft
@3GHz 0.14dB/ft
@6GHz 0.21dB/ft

CONNECTORS:
BRASS
CONTACTS Au PLATING
INTERFACE: MIL-STD-348A
SMA-CONNECTOR TORQUE 5-in-lbs
OP TEMP: -55-200°C



MEASUREMENTS BELOW ARE TYPICAL



ALL DIMENSIONS IN inches(MM) Typical

FAIRVIEW MICROWAVE INC.

ALLEN, TX 75013 WWW.FAIRVIEWMICROWAVE.COM

TITLE

SMA/M-N/M FLEXIBLE CABLES 6GHz LMR240

SIZE

A

CAGE CODE

3FKR5

DWG NO

SCB15835-XX

REV

--

SCALE

SHEET