



TNC/M-TNC/M FLEXIBLE CABLES 1GHZ RG58

SCB15922-XX

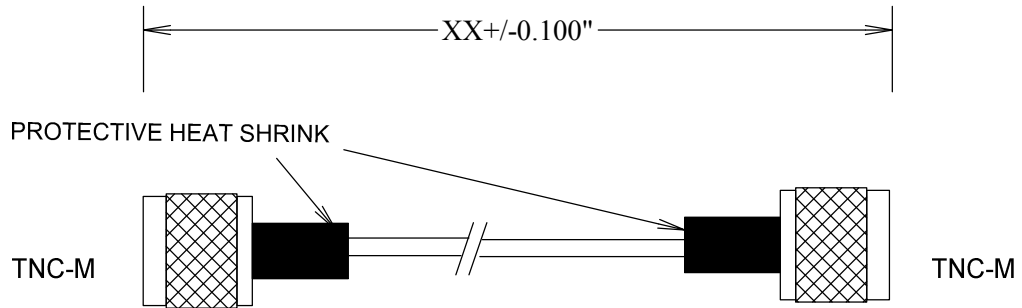
SPECIFICATIONS

CABLE ASSEMBLY:
VSWR:1.2:1 @<1GHZ TYPICAL

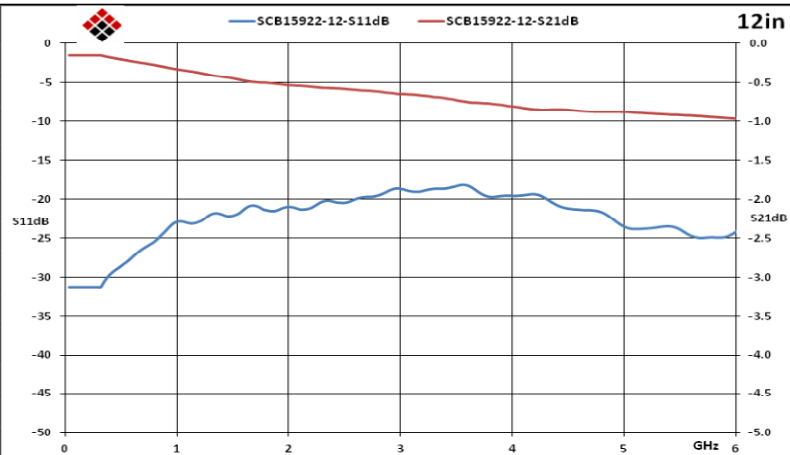
RAW CABLE: RG58
TYPICAL LOSS (EXCLUDING CONNECTORS)
@1GHZ: 0.15 DB/FT

CONNECTORS:
BNC: BRASS
CONTACTS Au PLATING
INTERFACE: MIL-STD-348A

OP TEMP: -55-110°C



MEASUREMENTS BELOW ARE TYPICAL



ALL DIMENSIONS IN inches(MM) Typical

FAIRVIEW MICROWAVE INC.			
ALLEN, TX 75013 WWW.FAIRVIEWMICROWAVE.COM			
TITLE			
TNC/M-TNC/M FLEXIBLE CABLES 1GHZ RG58			
SIZE	CAGE CODE	DWG NO	REV
A	3FKR5	SCB15922-XX	--
SCALE		SHEET	

