

## SMA Female PCB Connector Edge Mount .010 inch Pin Solder Attachment

SMA female connector with solder attachment for edge mount .010 inch pin PCB, part number SCT635-SMA, from Fairview Microwave is in-stock and ships same day. This SMA female connector operates up to a maximum frequency of 27 GHz and offers excellent VSWR of 1.25:1.

Fairview's SMA female connector SCT635-SMA datasheet specifications and outline drawing are shown in this PDF below. Our extensive offering of RF, microwave and millimeter wave connectors allows designers to configure and customize their signal connections however they like. From providing an I/O for a board design to creating a custom cable assembly configuration, Fairview Microwave has a connector solution to meet your needs. Fairview Microwave also has the expertise to build your custom cable assemblies for you and ship them same-day.

### Electrical Specifications

Description	Min	Typ	Max	Units
Frequency Range	DC		27	GHz
VSWR			1.25:1	

### Mechanical Specifications

<b>Size</b>	
Length	0.74 in [18.8 mm]
Width/Dia.	0.5 in [12.70 mm]
Height	0.375 in [9.53 mm]
Weight	0.0283 lbs [12.84 g]

### Material Specifications

Description	Material	Plating
Contact	Beryllium Copper	Gold MIL-G-45204
Insulation	PTFE	
Outer Conductor	Brass	Nickel
Body	Brass	Nickel

### Environmental Specifications

#### Temperature

Operating Range -55 to +125 deg C

**Compliance Certifications** (see [product page](#) for current document)

### Plotted and Other Data

Notes:



### Configuration:

- SMA Female Connector
- 50 Ohms
- Straight Body Geometry
- Edge Mount .010 inch Pin Interface Type
- Solder Attachment

### Features:

- Operating Frequency of 27 GHz Max.
- Excellent VSWR of 1.25:1
- Gold Plated Beryllium Copper Contact
- Contact plating according to MIL-G-45204

### Applications:

- General Purpose Test
- PCB Applications

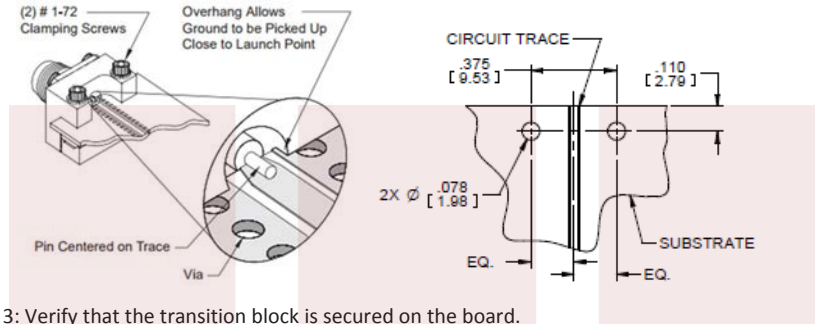
Fairview Microwave  
 301 Leora Ln., Suite 100  
 Lewisville, TX 75056  
 Tel: 1-800-715-4396 / (972) 649-6678  
 Fax: (972) 649-6689  
[www.fairviewmicrowave.com](http://www.fairviewmicrowave.com)  
[sales@fairviewmicrowave.com](mailto:sales@fairviewmicrowave.com)

**Assembly Instruction**

**End Launch Connectors - Installation Procedure**

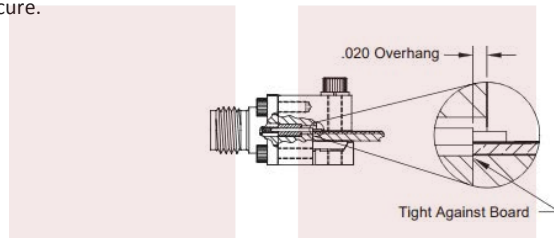
Step 1: Mount the end launch connector, SCT635-SMA, in the desired position on the board.

Step 2: Center the connector on the trace.



Step 3: Verify that the transition block is secured on the board.

Step 4: Tighten the 1-72 mounting screws to your boards suggested torque or until the connector is secure.

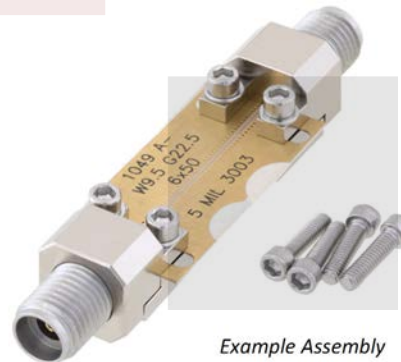


(Steps 5 – 7 optional, depending on application)

Step 5: If soldering the launch pin to the trace, flow solder the entire length of the contact area.

Step 6: To avoid performance mistakes, remove excess solder.

Step 7: Clean any residue from around the solder joint.



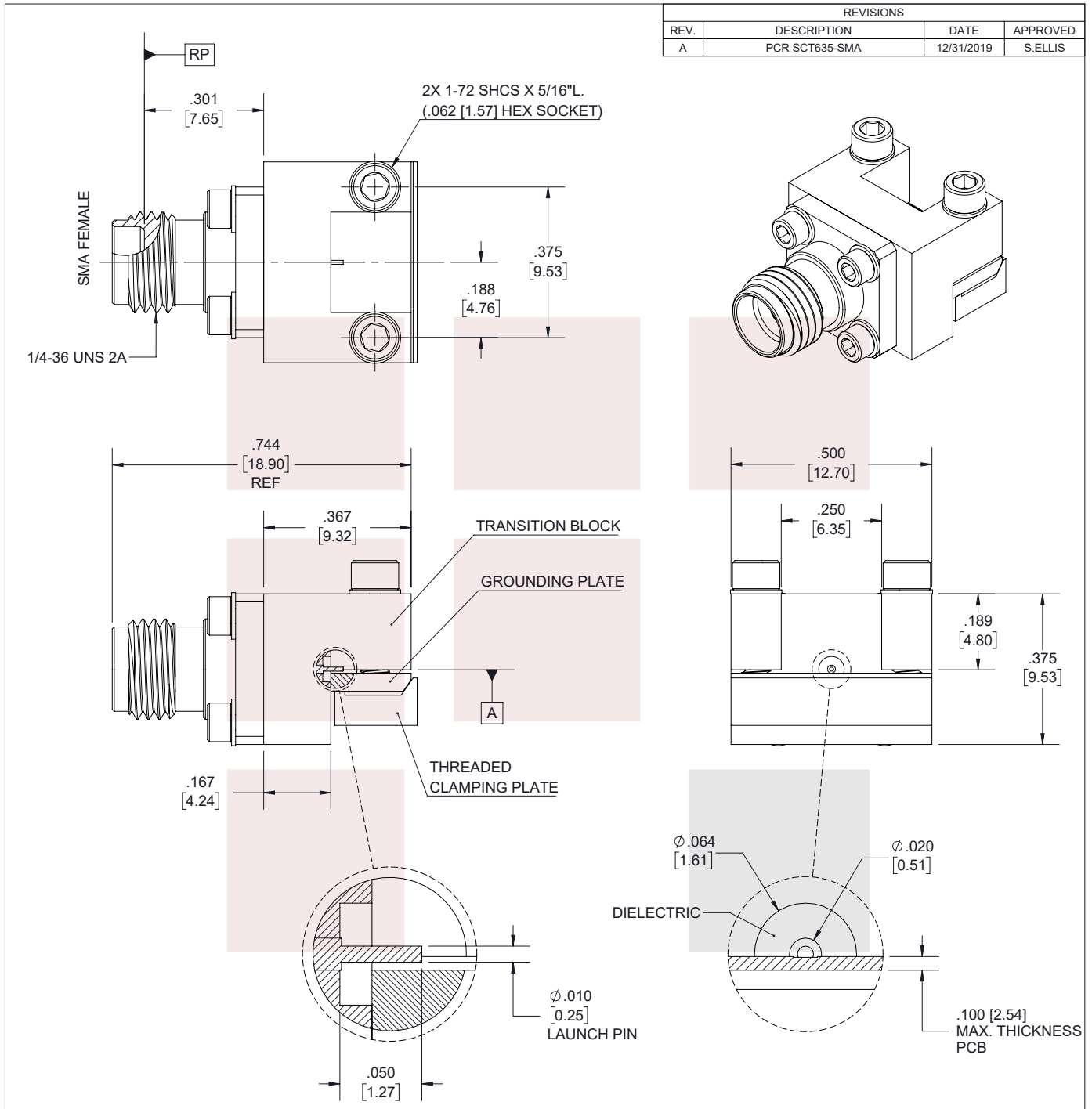
SMA Female PCB Connector Edge Mount .010 inch Pin Solder Attachment from Fairview Microwave is in-stock and available to ship same-day. All of our RF/microwave products are available off-the-shelf from our ISO 9001:2008 certified facilities in Lewisville, Texas. Fairview Microwave is RF on-demand.

For additional information on this product, please click the following link: [SMA Female PCB Connector Edge Mount .010 inch Pin Solder Attachment SCT635-SMA](#)

URL: <https://www.fairviewmicrowave.com/sma-female-standard-edge-mount-0.010-pin-pcb-connector-sct635-sma-p.aspx>

The information contained in this document is accurate to the best of our knowledge and representative of the part described herein. It may be necessary to make modifications to the part and/or the documentation of the part, in order to implement improvements. Fairview Microwave reserves the right to make such changes as required. Unless otherwise stated, all specifications are nominal. Fairview Microwave does not make any representation or warranty regarding the suitability of the part described herein for any particular purpose, and Fairview Microwave does not assume any liability arising out of the use of any part or documentation.





REVISIONS			
REV.	DESCRIPTION	DATE	APPROVED
A	PCR SCT635-SMA	12/31/2019	S.ELLIS

THESE COMMODITIES, TECHNOLOGY OR SOFTWARE WERE EXPORTED FROM THE UNITED STATES IN ACCORDANCE WITH THE EXPORT ADMINISTRATION REGULATIONS, DIVERSION CONTRARY TO U.S. LAW PROHIBITED.

<p><b>Fairview Microwave</b> an INFINIT<sup>®</sup> brand</p>	<p>UNLESS OTHERWISE SPECIFIED LEADING DIMENSIONS ARE INCHES DIMENSIONS IN [ ] ARE MILLIMETERS</p> <p>TOLERANCES:                      CABLE LENGTH (L) TOLERANCES:</p> <p>L ≤ 12 [305] = +1 [25] / -0</p> <p>12 [305] &lt; L ≤ 60 [1524] = +2 [51] / -0</p> <p>60 [1524] &lt; L ≤ 120 [3048] = +4 [102] / -0</p> <p>120 [3048] &lt; L ≤ 300 [7620] = +6 [152] / -0</p> <p>300 [7620] &lt; L = +5%L / -0</p>		<p>THIRD-ANGLE PROJECTION</p> <p>THE INFORMATION AND DESIGN IN THIS DOCUMENT IS THE PROPERTY OF FAIRVIEW MICROWAVE CORPORATION. ALL RIGHTS RESERVED.</p>
	<p>TITLE</p> <p>SMA Female PCB Connector Edge Mount .010 inch Pin Solder Attachment</p>	<p>ALL DIMENSIONS SHOWN ARE FOR REFERENCE ONLY.</p>	<p>SHEET 1 OF 1</p> <p>SCALE N/A</p>
<p>SIZE A</p>	<p>CAGE CODE 3FKR5</p>	<p>DRAWN BY K.Dang</p>	<p>ITEM NO. SCT635-SMA</p>
			<p>REV A</p>

T-Rev.D