

BNC INNER DC BLOCK

SD3123

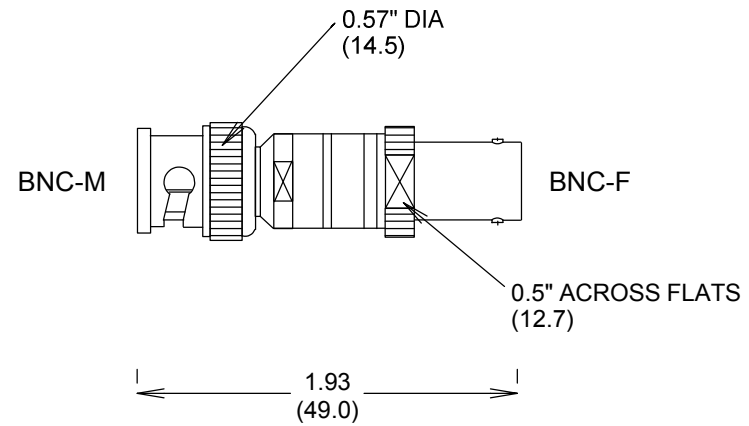
SPECIFICATIONS

ELECTRICAL

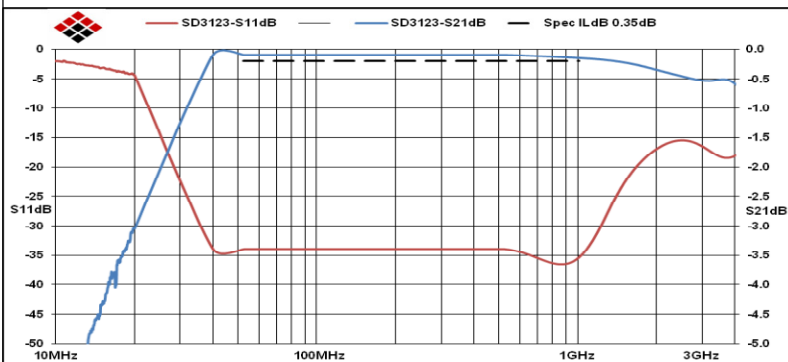
FREQUENCY: 50 MHZ-3 GHZ
 IMPEDANCE: 50 OHMS
 VSWR: 1.25:1 MAX
 INSERTION LOSS: 0.2DB MAX @2GHZ;
 0.35DB MAX@3GHZ
 200 VOLTS

MECHANICAL

MATERIALS BODY: NICKEL PLATED BRASS
 ROHS COMPLIANT



MEASUREMENTS BELOW ARE TYPICAL



ALL DIMENSIONS IN inches(MM) Typical

FAIRVIEW MICROWAVE INC.

ALLEN, TX 75013 WWW.FAIRVIEWMICROWAVE.COM

TITLE

BNC INNER DC BLOCK

SIZE	CAGE CODE	DWG NO	REV
A	3FKR5	SD3123	A
SCALE	SHEET		