

BNC/M - BNC/F 75 OHM INNER DC BLOCK 4 GHZ

SD3125

SPECIFICATIONS

ELECTRICAL

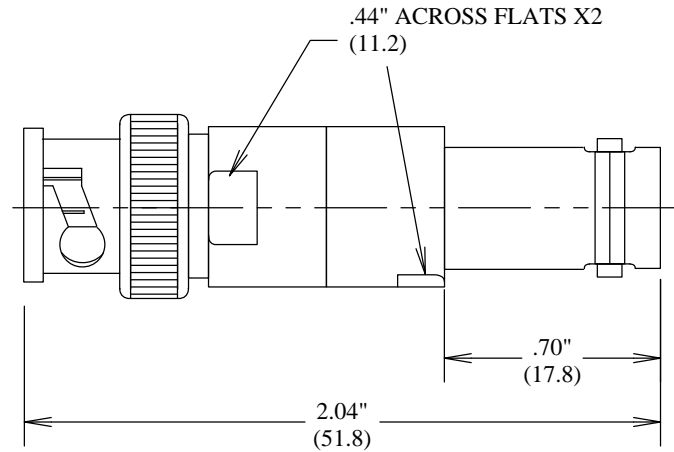
FREQUENCY: DC-4 GHZ
IMPEDANCE: 75 OHMS
VSWR: 1.25:1 MAX @ 1GHZ
VSWR: 1.50:1 MAX @ 4GHZ

MECHANICAL

MATERIALS BODY : NICKE PLATED BRASS
MATERIALS CONTACTS: BRASS
PLATING CONTACTS: Au PER MIL-G-45204

OPERATING TEMPERATURE: -55° to 125°C

ROHS COMPLIANT



FAIRVIEW MICROWAVE INC.

ALLEN, TX 75013 WWW.FAIRVIEWMICROWAVE.COM

TITLE

**BNC/M - BNC/F 75 OHM INNER
DC BLOCK 4 GHZ**

SIZE	CAGE CODE	DWG NO	REV
A	3FKR5	SD3125	--
SCALE	SHEET		

ALL DIMENSIONS IN inches(MM) Typical