

Inner DC Block From 10 MHz to 18 GHz With SMA Connectors

Fairview Microwave's SD3244A is an inner DC block with SMA connectors. It has a blocking capacitor on the inner conductor and operates from 10 MHz to 18 GHz. Our SMA DC block offers good insertion loss of 0.5 dB and has a maximum operating voltage of 200 Vdc. DC blocks are commonly used to filter out unwanted DC signals, while allowing AC drive signals to pass through. They can help improve signal to noise ratio (SNR), eliminate ground loops, or provide isolation in your test setup. All of Fairview Microwave's DC blocks are in stock and available to ship same-day.



Electrical Specifications

Description	Min	Typ	Max	Units
Frequency Range	0.01		18	GHz
Impedance		50		Ohms
VSWR			1.35:1	
Insertion Loss			0.5	dB
Operating Voltage (DC)			200	Volts
Input Power (CW) derates linearly to 0.2W at +125°C			2	Watts

Mechanical Specifications

Size	
Length	0.871 in [22.12 mm]
Width	0.312 in [7.92 mm]
Weight	0.0145 lbs [6.58 g]
Housing Material and Plating	Passivated Stainless Steel
Housing Plating Specification	QQ-P-35

Configuration

Design	Inner DC Block
Package Type	Connectorized

Description	Connector 1	Connector 2
Type	SMA Male	SMA Female
Connector Specification	MIL-STD-348	MIL-STD-348
Inner Cond Material & Plating	Beryllium Copper, Gold	Beryllium Copper, Gold
Inner Cond Plating Spec.	MIL-PRF-39012	MIL-PRF-39012
Coupling Nut Material & Plating	Passivated Stainless Steel	
Coupling Nut Plating Spec.	QQ-P-35	
Hex Size	5/16 inch	
Body Material & Plating	Passivated Stainless Steel	Passivated Stainless Steel
Body Plating Spec.	QQ-P-35	QQ-P-35

Environmental Specifications

Temperature

Operating Range	-65 to +125 deg C
-----------------	-------------------

Features:

- Inner DC Block
- Operates from 10 MHz to 18 GHz
- Good Insertion Loss of 0.5 dB Max

Applications:

- Test & Measurement
- Ground Loop Elimination
- Signal to Noise Ratio (SNR) Improvement

Fairview Microwave
1130 Junction Dr. #100
Allen, TX 75013
Tel: 1-800-715-4396 / (972) 649-6678
Fax: (972) 649-6689
www.fairviewmicrowave.com
sales@fairviewmicrowave.com

Compliance Certifications (see [product page](#) for current document)

Plotted and Other Data

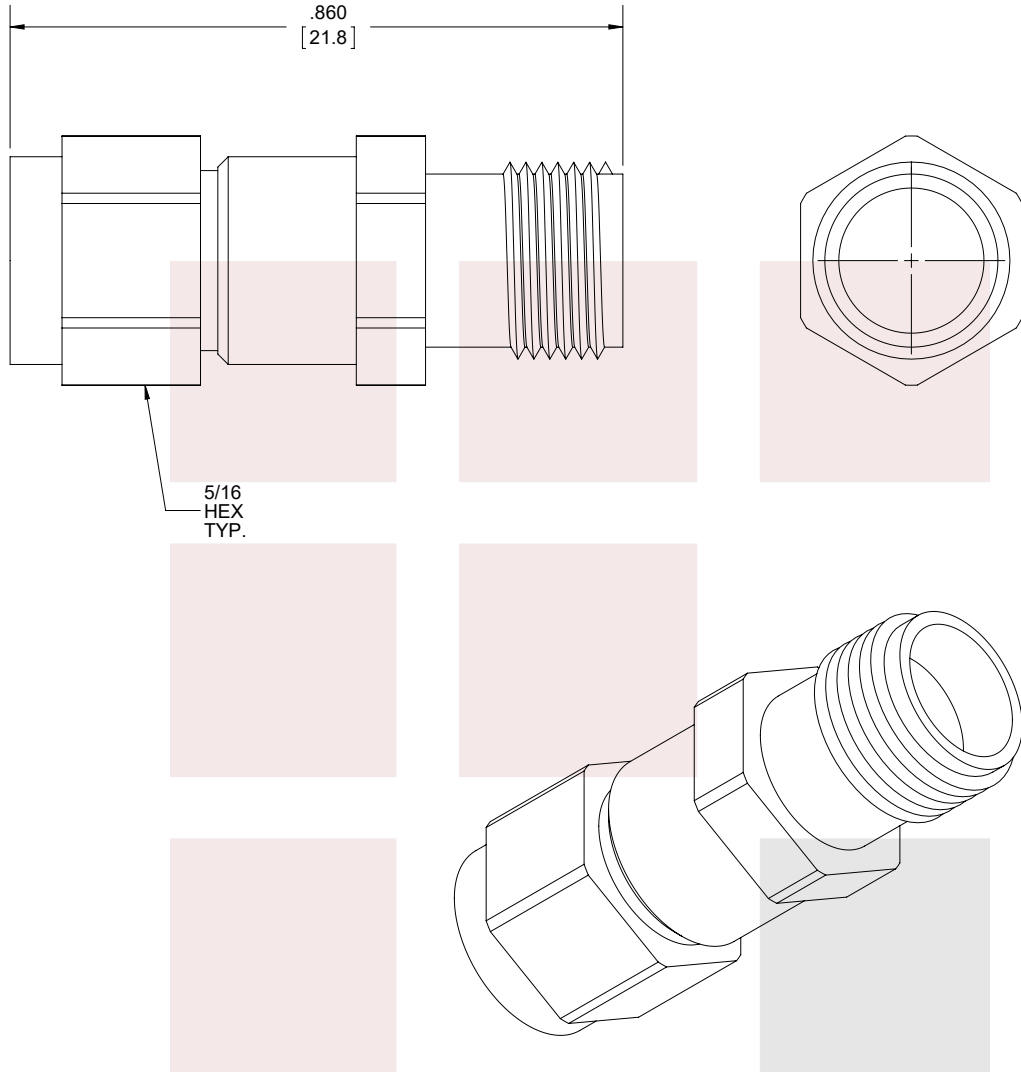
Notes:

Inner DC Block From 10 MHz to 18 GHz With SMA Connectors from Fairview Microwave has same day shipment for domestic and International orders. Our RF, microwave and fiber optic products maintain a 99% availability and are part of the broadest selection in the industry.

Click the following link to obtain additional part information: [Inner DC Block From 10 MHz to 18 GHz With SMA Connectors SD3244A](#)

URL: <https://www.fairviewmicrowave.com/inner-dc-block-10-mhz-18-ghz-sma-connectors-sd3244a-p.aspx>

The information contained in this document is accurate to the best of our knowledge and representative of the part described herein. It may be necessary to make modifications to the part and/or the documentation of the part, in order to implement improvements. Fairview Microwave reserves the right to make such changes as required. Unless otherwise stated, all specifications are nominal. Fairview Microwave does not make any representation or warranty regarding the suitability of the part described herein for any particular purpose, and Fairview Microwave does not assume any liability arising out of the use of any part or documentation.



STANDARD TOLERANCES	
.X	±0.2
.XX	±0.01
.XXX	±0.005

*STANDARD TOLERANCES APPLY ONLY TO DIMENSIONS IN INCHES

FAIRVIEW MICROWAVE INC. ALLEN, TX 75013 WWW.FAIRVIEWMICROWAVE.COM		NOTES: 1. UNLESS OTHERWISE SPECIFIED ALL DIMENSIONS ARE NOMINAL. 2. ALL SPECIFICATIONS ARE SUBJECT TO CHANGE WITHOUT NOTICE AT ANY TIME. 3. DIMENSIONS ARE IN INCHES [mm].			
TITLE Inner DC Block From 10 MHz to 18 GHz With SMA Connectors		DWG NO SD3244A		CAGE CODE 3FKR5	
CAD FILE 071017		SHEET 1 OF 1		SCALE N/A	
				SIZE A 2233	