

Inner DC Block from 10 MHz to 65 GHz with 1.85mm Interface

Fairview's SD3482 is an inner DC block with 1.85mm connectors. It has a blocking capacitor on the inner conductor and operates from 10 MHz to 65 GHz. Our 1.85mm DC block offers good insertion loss of 1.25 dB and has a maximum operating voltage of 16 Vdc. DC blocks are commonly used to filter out unwanted DC signals, while allowing AC drive signals to pass through. They can help improve signal to noise ratio (SNR), eliminate ground loops, or provide isolation in your test setup.

Electrical Specifications

Description	Min	Typ	Max	Units
Frequency Range	0.01		65	GHz
Impedance		50		Ohms
VSWR			1.6:1	
Insertion Loss			1.25	dB
Operating Voltage (DC)			16	Volts
Input Power (CW)			1	Watt

Mechanical Specifications

Size	
Length	0.805 in [20.45 mm]
Width	0.312 in [7.92 mm]
Weight	0.011 lbs [4.99 g]

Configuration	
Design	Inner DC Block
Package Type	Connectorized

Description	Connector 1	Connector 2
Type	1.85mm Male	1.85mm Female
Inner Cond Material & Plating	Beryllium Copper, Gold	Beryllium Copper, Gold
Inner Cond Plating Spec.	MIL-PRF-39012	MIL-PRF-39012
Dielectric Type	PTFE	PTFE
Outer Cond Material & Plating		Passivated Stainless Steel
Outer Cond Plating Spec.		ASTM A380
Coupling Nut Material & Plating	Passivated Stainless Steel	
Coupling Nut Plating Spec.	ASTM A380	
Torque	8 in-lbs [0.9 Nm]	
Body Material & Plating	Passivated Stainless Steel	Passivated Stainless Steel
Body Plating Spec.	ASTM A380	ASTM A380

Environmental Specifications

Temperature

Operating Range	-55 to +100 deg C
-----------------	-------------------



Features:

- Inner DC Block
- Operates from 10 MHz to 65 GHz
- Good Insertion Loss of 1.25 dB Max

Applications:

- Test & Measurement
- Ground Loop Elimination
- Signal to Noise Ratio (SNR) Improvement

Fairview Microwave
 301 Leora Ln., Suite 100
 Lewisville, TX 75056
 Tel: 1-800-715-4396 / (972) 649-6678
 Fax: (972) 649-6689
www.fairviewmicrowave.com
sales@fairviewmicrowave.com

Compliance Certifications (see [product page](#) for current document)

Plotted and Other Data

Notes:

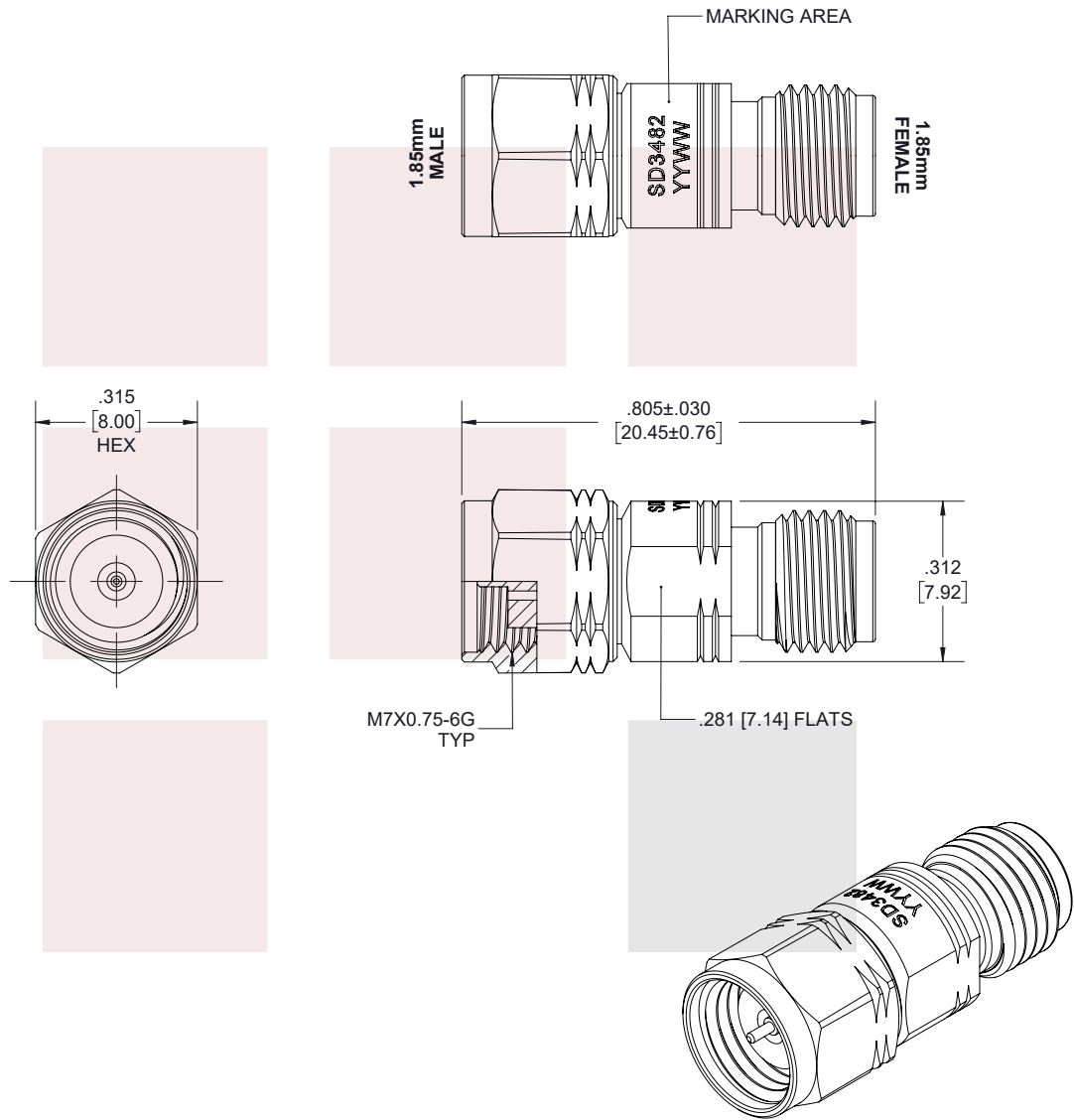
Inner DC Block from 10 MHz to 65 GHz with 1.85mm Interface from Fairview Microwave has same day shipment for domestic and International orders. Our RF, microwave and fiber optic products maintain a 99% availability and are part of the broadest selection in the industry.

Click the following link to obtain additional part information: [Inner DC Block from 10 MHz to 65 GHz with 1.85mm Interface SD3482](#)

URL: <https://www.fairviewmicrowave.com/inner-dc-block-10-mhz-65-ghz-1.85mm-connectors-sd3482-p.aspx>

The information contained in this document is accurate to the best of our knowledge and representative of the part described herein. It may be necessary to make modifications to the part and/or the documentation of the part, in order to implement improvements. Fairview Microwave reserves the right to make such changes as required. Unless otherwise stated, all specifications are nominal. Fairview Microwave does not make any representation or warranty regarding the suitability of the part described herein for any particular purpose, and Fairview Microwave does not assume any liability arising out of the use of any part or documentation.

REVISIONS			
REV.	DESCRIPTION	DATE	APPROVED
A	INITIAL RELEASE	4/2/2020	S.PONG



THESE COMMODITIES, TECHNOLOGY OR SOFTWARE WERE EXPORTED FROM THE UNITED STATES IN ACCORDANCE WITH THE EXPORT ADMINISTRATION REGULATIONS. DIVERSION CONTRARY TO U.S. LAW PROHIBITED.

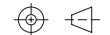
TITLE
Inner DC Block from 10 MHz to 65 GHz with 1.85mm Interface

UNLESS OTHERWISE SPECIFIED LEADING DIMENSIONS ARE INCHES
DIMENSIONS IN [] ARE MILLIMETERS

TOLERANCES: CABLE LENGTH (L) TOLERANCES:

.X = ±.2 [5.08]	FRACTIONS	L ≤ 12 [305] = +1 [25] / -0
.XX = ±.02 [.51]	± 1/32	12 [305] < L ≤ 60 [1524] = +2 [51] / -0
.XXX = ±.005 [.13]	ANGLES ± 1°	60 [1524] < L ≤ 120 [3048] = +4 [102] / -0
		120 [3048] < L ≤ 300 [7620] = +6 [152] / -0
		300 [7620] < L = +5%L / -0

THIRD-ANGLE PROJECTION



THE INFORMATION AND DESIGN IN THIS DOCUMENT IS THE PROPERTY OF FAIRVIEW MICROWAVE CORPORATION. ALL RIGHTS RESERVED.

SHEET 1 OF 1

ALL DIMENSIONS SHOWN ARE FOR REFERENCE ONLY.

SCALE N/A

SIZE A	CAGE CODE 3FKR5	DRAWN BY K.DANG	ITEM NO. SD3482	REV A
-----------	--------------------	--------------------	--------------------	----------

T-Rev.D