

50ohm BNC plug to BNC jack DC Block inner from 30 MHz to 1000 MHz rated 1000 Volt in Brass

Fairview Microwave SD8275 is an inner DC block with BNC connectors. It has a blocking capacitor on the inner conductor and operates from 30 MHz to 1 GHz. Our BNC DC block offers good insertion loss of 0.2 dB and has a maximum operating voltage of 500 Vdc. DC blocks are commonly used to filter out unwanted DC signals, while allowing AC drive signals to pass through. They can help improve signal to noise ratio (SNR), eliminate ground loops, or provide isolation in your test setup. All of Fairview Microwave DC blocks are in stock and available to ship same-day.

Electrical Specifications

Description	Min	Typ	Max	Units
Frequency Range	30		1,000	MHz
Impedance		50		Ohms
VSWR			1.2:1	
Insertion Loss			0.2	dB
Operating Voltage (DC)			500	Volts

Mechanical Specifications

Size	
Length	2.09 in [53.09 mm]
Width	0.571 in [14.5 mm]
Height	0.571 in [14.5 mm]
Weight	0.1 lbs [45.36 g]
Housing Material and Plating	Brass, Tri-Metal

Configuration

Package Type	Connectorized
--------------	---------------

Description	Connector 1	Connector 2
Type	BNC Male	BNC Female
Inner Cond Material & Plating	Brass, Gold	Bronze, Gold

Compliance Certifications (see [product page](#) for current document)

Plotted and Other Data

Notes:



Features:

- Inner DC Blocks with Brass Body
- BNC connectorized configuration
- Operates from 30 MHz to 1000 MHz
- 50 Ohm Impedance

Applications:

- Test & Measurement
- Ground Loop Elimination
- Signal to Noise Ratio (SNR) Improvement

Fairview Microwave
 301 Leora Ln., Suite 100
 Lewisville, TX 75056
 Tel: 1-800-715-4396 / (972) 649-6678
 Fax: (972) 649-6689
www.fairviewmicrowave.com
sales@fairviewmicrowave.com

50ohm BNC plug to BNC jack DC Block inner from 30 MHz to 1000 MHz rated 1000 Volt in Brass from Fairview Microwave is in-stock and available to ship same-day. All of our RF/microwave products are available off-the-shelf from our ISO 9001:2008 certified facilities in Lewisville, Texas. Fairview Microwave is RF on-demand.

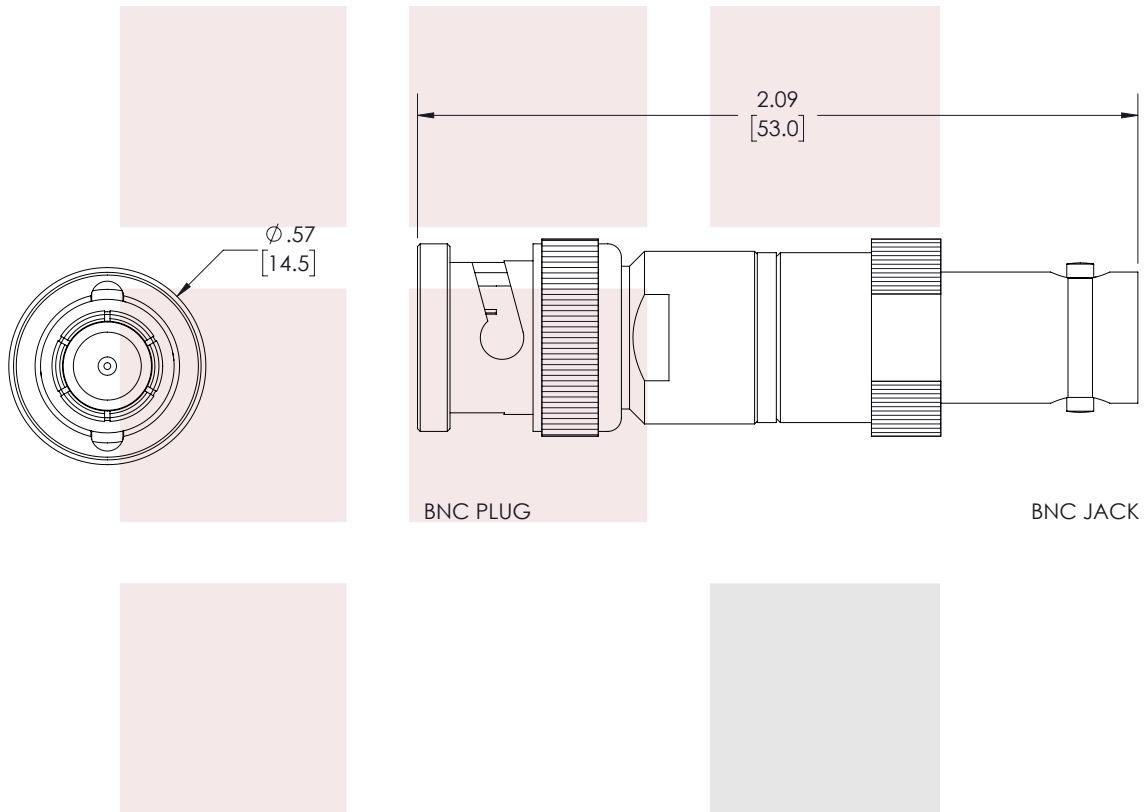
Click the following link to obtain additional part information: [50ohm BNC plug to BNC jack DC Block inner from 30 MHz to 1000 MHz rated 1000 Volt in Brass SD8275](#)

URL: <https://www.fairviewmicrowave.com/dc-block-30-1000-mhz-bnc-connectors-sd8275-p.aspx>

The information contained in this document is accurate to the best of our knowledge and representative of the part described herein. It may be necessary to make modifications to the part and/or the documentation of the part, in order to implement improvements. Fairview Microwave reserves the right to make such changes as required. Unless otherwise stated, all specifications are nominal. Fairview Microwave does not make any representation or warranty regarding the suitability of the part described herein for any particular purpose, and Fairview Microwave does not assume any liability arising out of the use of any part or documentation.



REVISIONS			
REV.	DESCRIPTION	DATE	APPROVED
A	INITIAL RELEASE	1/25/22	JNAJERA



THESE COMMODITIES, TECHNOLOGY OR SOFTWARE WERE EXPORTED FROM THE UNITED STATES IN ACCORDANCE WITH THE EXPORT ADMINISTRATION REGULATIONS. DIVERSION CONTRARY TO U.S. LAW PROHIBITED.

TITLE

50ohm BNC plug to BNC jack DC Block inner from 30 MHz to 1000 MHz rated 1000 Volt in Brass

UNLESS OTHERWISE SPECIFIED LEADING DIMENSIONS ARE INCHES
DIMENSIONS IN [] ARE MILLIMETERS

TOLERANCES:

.X = ±.2 [5.08] FRACTIONS ± 1/32
.XX = ±.02 [.51] ANGLES ± 1°
.XXX = ±.005 [.13]

CABLE LENGTH (L) TOLERANCES:

L ≤ 12 [305] = +1 [25] / -0
12 [305] < L ≤ 60 [1524] = +2 [51] / -0
60 [1524] < L ≤ 120 [3048] = +4 [102] / -0
120 [3048] < L ≤ 300 [7620] = +6 [152] / -0
300 [7620] < L = +5%L / -0

THIRD-ANGLE PROJECTION



THE INFORMATION AND DESIGN IN THIS DOCUMENT IS THE PROPERTY OF FAIRVIEW MICROWAVE CORPORATION. ALL RIGHTS RESERVED.

SHEET 1 OF 1

ALL DIMENSIONS SHOWN ARE FOR REFERENCE ONLY.

SCALE N/A

SIZE A	CAGE CODE 3FKR5	DRAWN BY HBAKKE	ITEM NO. SD8275	REV A
-----------	--------------------	--------------------	--------------------	----------

T-Rev.D