

**High Power Isolator N Female With 17 dB Isolation
 From 698 MHz to 960 MHz Rated to 1000 Watts**

The SFI6996N is a high power single junction isolator offering a forward power rating of 1,000 Watts CW and reverse power rating of 30 Watts CW over an operational frequency band of 698 to 960 MHz. This coaxial isolator uses N female connectors on all ports and has a minimum of 17 dB isolation.

Fairview Microwave offers a wide variety of isolators to fit your needs. These are two-port devices that transmit microwave or radio frequency power in one direction only and block the signal in the opposite direction. They can be thought of as a diode for RF energy. Isolators are used to isolate equipment from the effects of conditions outside of the equipment. For instance they are used to prevent a microwave source being detuned by a mismatched load. Fairview Microwave's isolators feature excellent insertion loss, high isolation and reliability.

Electrical Specifications

Description	Min	Typ	Max	Units
Frequency Range	698		960	MHz
Impedance		50		Ohms
Insertion Loss			0.35	dB
Isolation	17			dB
VSWR			1.3:1	
Forward Power, CW			1	KWatts
Reverse Power, CW			30	Watts

Electrical Specification Notes:
 Values at 25°C, sea level.

Mechanical Specifications

Size	
Length	1.75 in [44.45 mm]
Width	2 in [50.8 mm]
Height	1.02 in [25.91 mm]
Body Material and Plating	Aluminum

Configuration

Design	Single Junction
Direction	1 to 2
Package Style	Connectorized
Connector 1	N Female
Connector 2	N Female

Environmental Specifications

Temperature	
Operating Range	-20 to +70 deg C

Compliance Certifications (see [product page](#) for current document)

Plotted and Other Data

Notes:



Features:

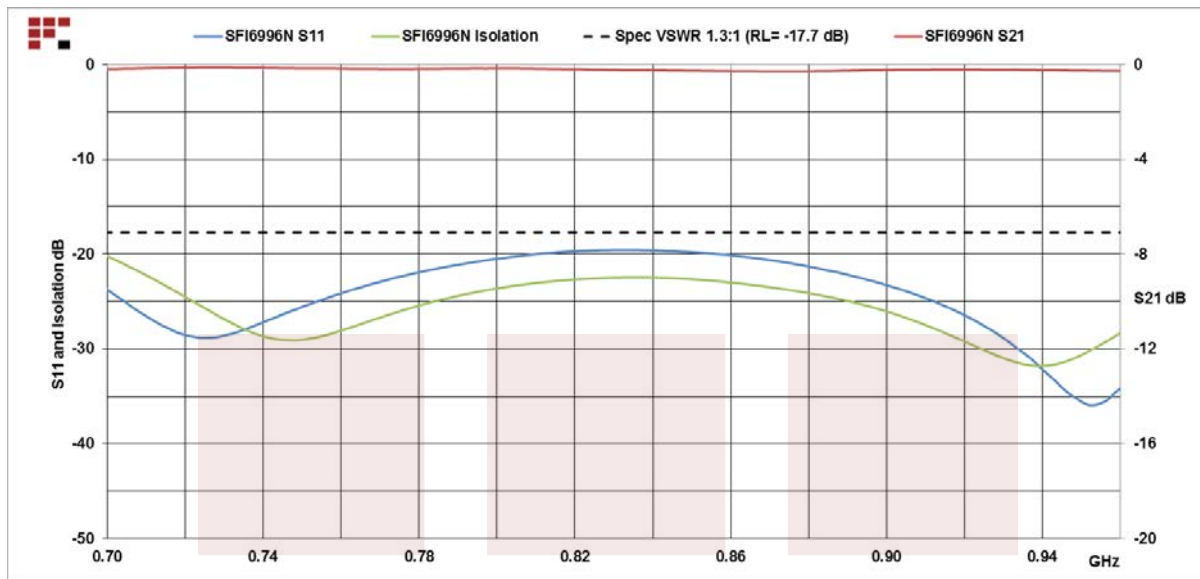
- High Power
- 698 to 960 MHz Frequency Range
- Max Forward Power 1,000 Watts CW
- Max Reverse Power 30 Watts CW
- Insertion Loss < 0.35 dB
- VSWR < 1.3:1
- Isolation > 17 dB
- N Female Connectors

Applications:

- Radar Systems
- Military
- Wireless Radio Systems
- Telecom Infrastructure
- Communication Systems
- R&D Labs
- Microwave Radio Systems

Fairview Microwave
 1130 Junction Dr. #100
 Allen, TX 75013
 Tel: 1-800-715-4396 / (972) 649-6678
 Fax: (972) 649-6689
www.fairviewmicrowave.com
sales@fairviewmicrowave.com

Typical Performance Data

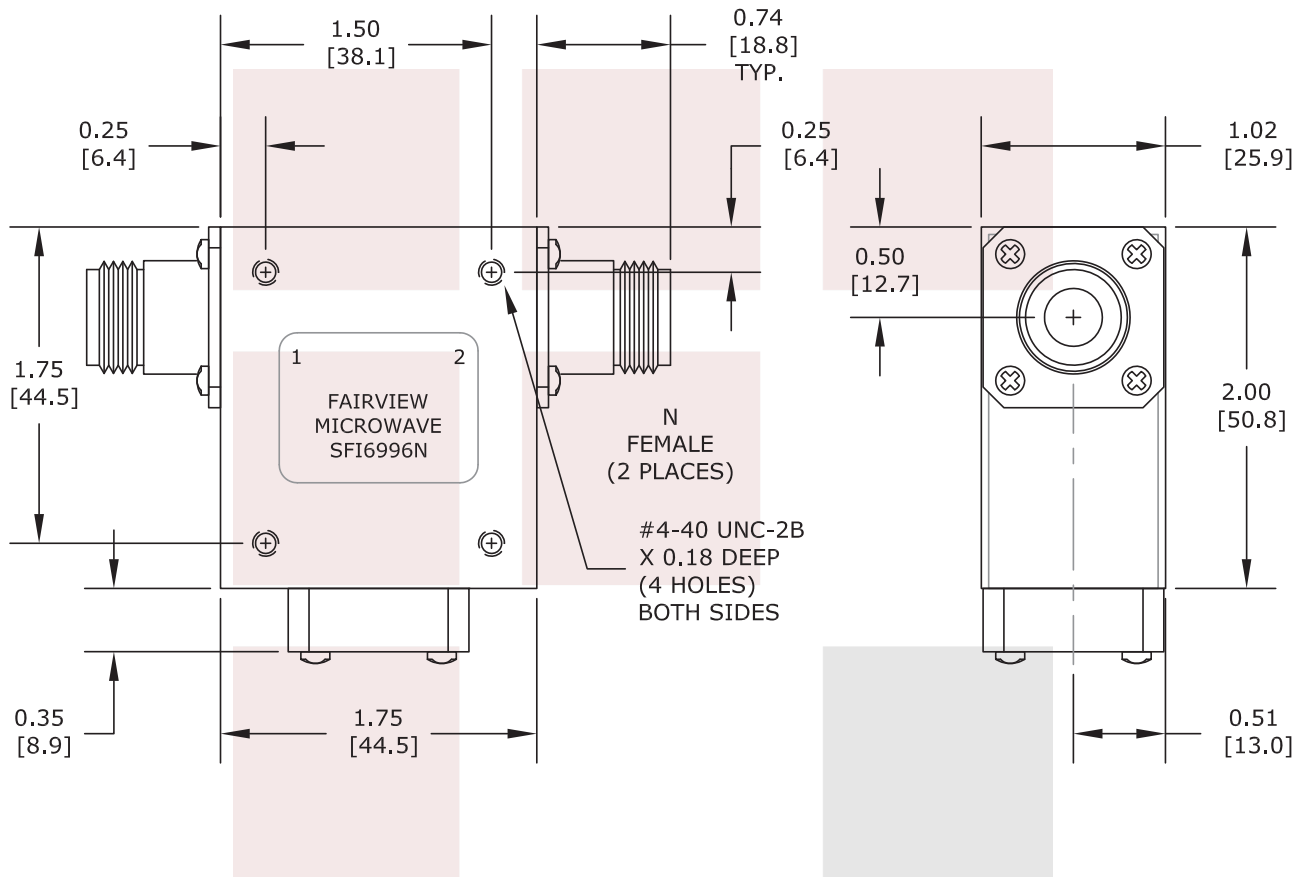


High Power Isolator N Female With 17 dB Isolation From 698 MHz to 960 MHz Rated to 1000 Watts from Fairview Microwave is in-stock and available to ship same-day. All of our RF/microwave products are available off-the-shelf from our ISO 9001:2008 certified facilities in Allen, Texas. Fairview Microwave is RF on-demand.

For additional information on this product, please click the following link: [High Power Isolator N Female With 17 dB Isolation From 698 MHz to 960 MHz Rated to 1000 Watts SFI6996N](#)

URL: <https://www.fairviewmicrowave.com/n-isolator-18-db-isolation-698-960-mhz-1000-watts-sfi6996n-p.aspx>

The information contained in this document is accurate to the best of our knowledge and representative of the part described herein. It may be necessary to make modifications to the part and/or the documentation of the part, in order to implement improvements. Fairview Microwave reserves the right to make such changes as required. Unless otherwise stated, all specifications are nominal. Fairview Microwave does not make any representation or warranty regarding the suitability of the part described herein for any particular purpose, and Fairview Microwave does not assume any liability arising out of the use of any part or documentation.



STANDARD TOLERANCES	
.X	±0.2
.XX	±0.1
.XXX	±0.05

*STANDARD TOLERANCES APPLY ONLY TO DIMENSIONS IN INCHES

FAIRVIEW MICROWAVE INC. ALLEN, TX 75013 WWW.FAIRVIEWMICROWAVE.COM		NOTES: 1. UNLESS OTHERWISE SPECIFIED ALL DIMENSIONS ARE NOMINAL. 2. ALL SPECIFICATIONS ARE SUBJECT TO CHANGE WITHOUT NOTICE AT ANY TIME. 3. DIMENSIONS ARE IN INCHES [mm].			
TITLE High Power Isolator N Female With 17 dB Isolation From 698 MHz to 960 MHz Rated to 1000 Watts		DWG NO SFI6996N		CAGE CODE 3FKR5	
CAD FILE	080216	SHEET	SCALE	N/A	SIZE A 2233