

**Broadband Gain Horn Antenna Operating from 2 GHz to 4 GHz with a Nominal 20 dB Gain and 7/16 DIN Female Input**

**Configuration**

Design	Broadband Standard Gain Horn
Pattern	Directional
Polarization	Linear
RF Connector	7/16 DIN Female



**Electrical Specifications**

Description	Min	Typ	Max	Units
Frequency Range	2		4	GHz
Impedance		50		Ohms
Gain			20	dB
Horizontal 3dB Beam Width		21		Degrees
Vertical 3dB Beam Width		25		Degrees
VSWR			1.5:1	
Input Power (CW)			1.2	kWatts

**Mechanical Specifications**

<b>Size</b>	
Length	40.02 in 101.65 cm
Width	18.78 in 477.01 mm
Height	11.81 in 299.97 mm
Weight	25 lbs 11.34 Kg
Body Material and Plating	Aluminum, Corrosion Resistant Epoxy
RF Connector	7/16 DIN Female

**Environmental Specifications**

**Compliance Certifications** (see [product page](#) for current document)

**Plotted and Other Data**

Notes:

Fairview Microwave  
 301 Leora Ln., Suite 100  
 Lewisville, TX 75056  
 Tel: 1-800-715-4396 / (972) 649-6678  
 Fax: (972) 649-6689  
[www.fairviewmicrowave.com](http://www.fairviewmicrowave.com)  
[sales@fairviewmicrowave.com](mailto:sales@fairviewmicrowave.com)

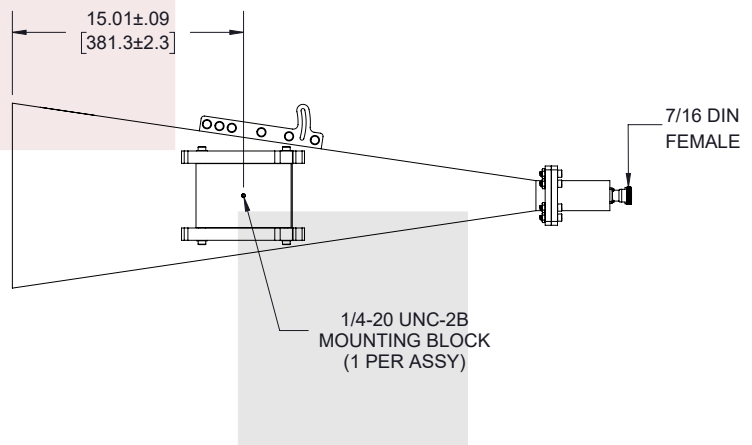
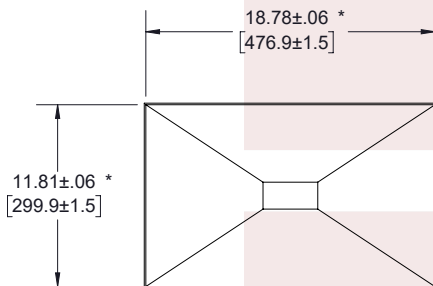
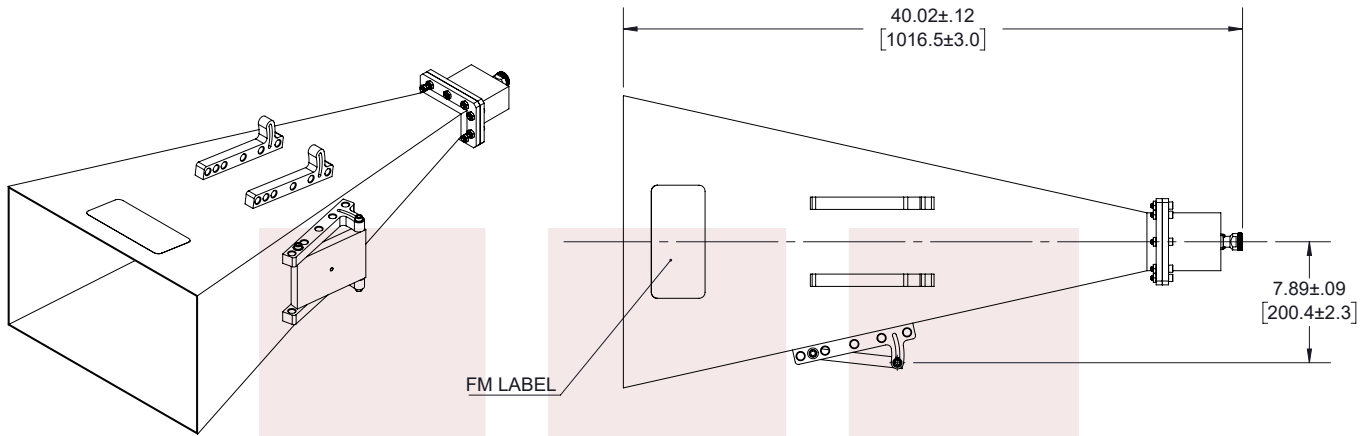
Broadband Gain Horn Antenna Operating from 2 GHz to 4 GHz with a Nominal 20 dB Gain and 7/16 DIN Female Input from Fairview Microwave is in-stock and available to ship same-day. All of our RF/microwave products are available off-the-shelf from our ISO 9001:2008 certified facilities in Allen, Texas. Fairview Microwave is RF on-demand.

For additional information on this product, please click the following link: [Broadband Gain Horn Antenna Operating from 2 GHz to 4 GHz with a Nominal 20 dB Gain and 7/16 DIN Female Input SH0204D](#)

URL: <https://www.fairviewmicrowave.com/gain-horn-2-4-ghz-22-db-7-16-din-db-sh0204d-p.aspx>

The information contained in this document is accurate to the best of our knowledge and representative of the part described herein. It may be necessary to make modifications to the part and/or the documentation of the part, in order to implement improvements. Fairview Microwave reserves the right to make such changes as required. Unless otherwise stated, all specifications are nominal. Fairview Microwave does not make any representation or warranty regarding the suitability of the part described herein for any particular purpose, and Fairview Microwave does not assume any liability arising out of the use of any part or documentation.





**LABEL**

**Fairview Microwave**  
RF COMPONENTS ON DEMAND. *Done!*  
www.FAIRVIEWMICROWAVE.com  
**SH0204D**  
F: 2.0 - 4.0 GHz  
SN: XXXXXXXXX

**STANDARD TOLERANCES**

.X ±0.2  
.XX ±0.01  
.XXX ±0.005

\*STANDARD TOLERANCES APPLY ONLY TO DIMENSIONS IN INCHES

\* INSIDE DIMENSIONS

		NOTES: 1. UNLESS OTHERWISE SPECIFIED ALL DIMENSIONS ARE NOMINAL. 2. ALL SPECIFICATIONS ARE SUBJECT TO CHANGE WITHOUT NOTICE AT ANY TIME. 3. DIMENSIONS ARE IN INCHES [mm].	
TITLE  Broadband Gain Horn Antenna Operating from 2 GHz to 4 GHz with a Nominal 20 dB Gain and 7/16 DIN Female Input		DWG NO <b>SH0204D</b>	CAGE CODE <b>3FKR5</b>
CAD FILE	08/24/18	SHEET	1 OF 1
SCALE	N/A	SIZE	A
		7361	