

# STANDARD GAIN HORN 10 DB GAIN WR112

SH1112-10

## SPECIFICATIONS

### ELECTRICAL:

FREQUENCY: 7.05 - 10.0 GHZ  
 TYPICAL GAIN VARIATION:  $\pm 1.5$  TO  $\pm 2.0$  DB  
 GAIN: 10 DB

### 3 DB BEAM WIDTH\*:

E PLANE:  $56.8^\circ$   
 H PLANE:  $55.2^\circ$

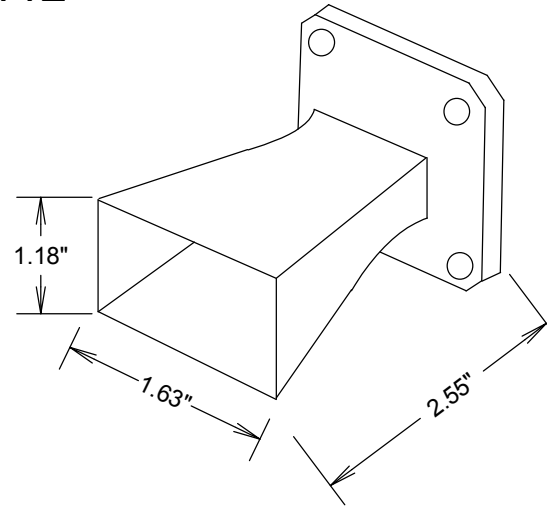
### MATERIALS:

BODY: ALUMINIUM

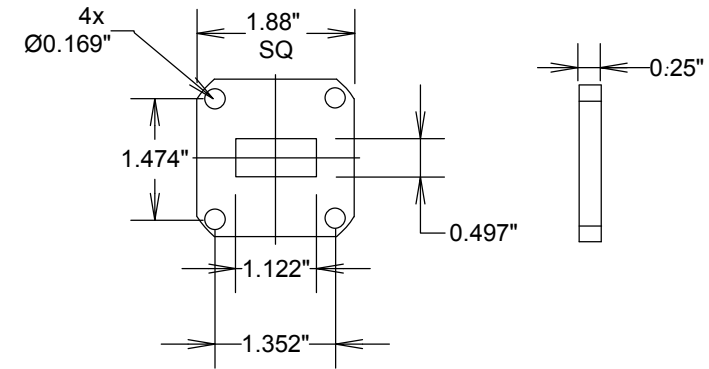
FINISH: UNIQUE CORROSION  
 RESISTANT  
 316 STAINLESS STEEL  
 EPOXY COATING  
 IAW MIL-F-14072

FLANGE: ALUMINIUM

\*GAIN & 3 DB BEAM WIDTH VALUES HAVE  
 CALCULATED BY COMPUTER SIMULATION



FLANGE SIZE



**FAIRVIEW MICROWAVE INC.**

ALLEN, TX 75013 WWW.FAIRVIEWMICROWAVE.COM

TITLE

**STANDARD GAIN HORN 10 DB GAIN WR112**

SIZE	CAGE CODE	DWG NO	REV
<b>A</b>	<b>3FKR5</b>	<b>SH1112-10</b>	--

SCALE

SHEET