

STANDARD GAIN HORN 20 DB GAIN WR137

SH1137-20

SPECIFICATIONS

ELECTRICAL:

FREQUENCY: 5.85 - 8.2 GHZ
 TYPICAL GAIN VARIATION: ± 1.5 TO ± 2.0 DB
 GAIN: 20 DB

3 DB BEAM WIDTH*:

E PLANE: 18.7°
 H PLANE: 18.8°

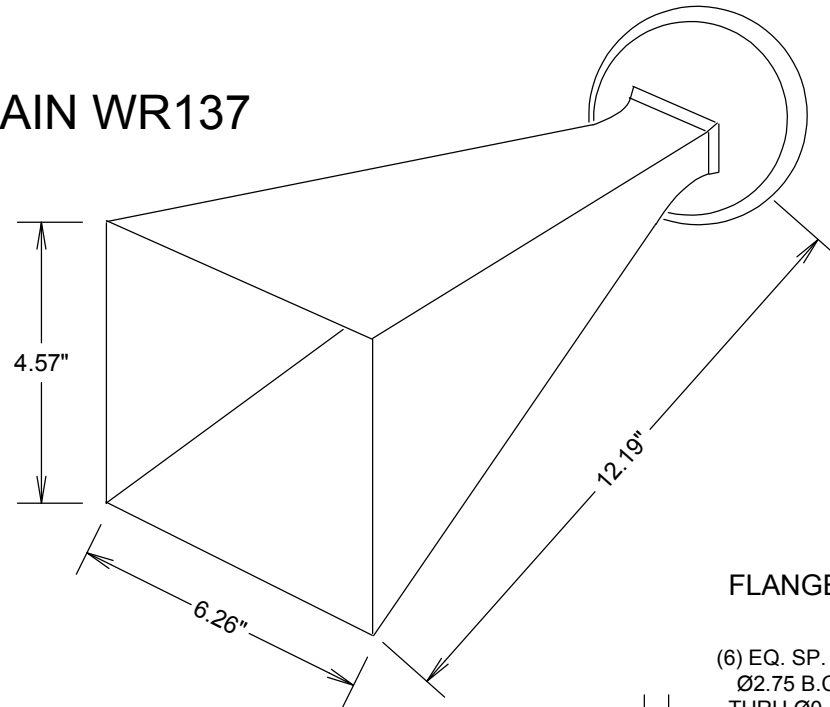
MATERIALS:

BODY: ALUMINUM

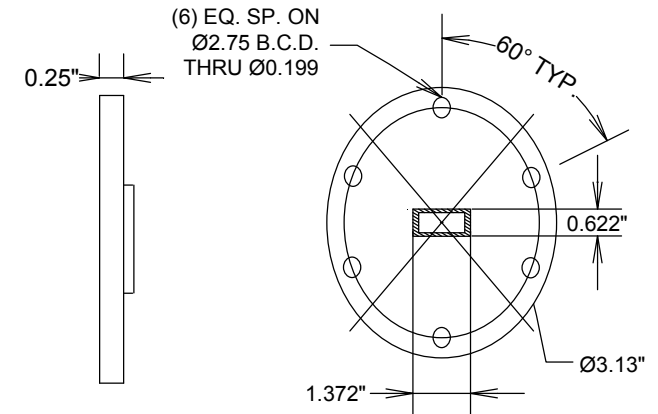
FINISH: UNIQUE CORROSION
 RESISTANT
 316 STAINLESS STEEL
 EPOXY COATING
 IAW MIL-F-14072

FLANGE: ALUMINUM

*GAIN & 3 DB BEAM WIDTH VALUES HAVE
 CALCULATED BY COMPUTER SIMULATION



FLANGE SIZE



FAIRVIEW MICROWAVE INC.

ALLEN, TX 75013 WWW.FAIRVIEWMICROWAVE.COM

TITLE

STANDARD GAIN HORN 20 DB GAIN WR137

SIZE	CAGE CODE	DWG NO	REV
A	3FKR5	SH1137-20	--
SCALE		SHEET	