

# STANDARD GAIN HORN 20 dB GAIN WR187

SH1187-20

## SPECIFICATIONS

### ELECTRICAL:

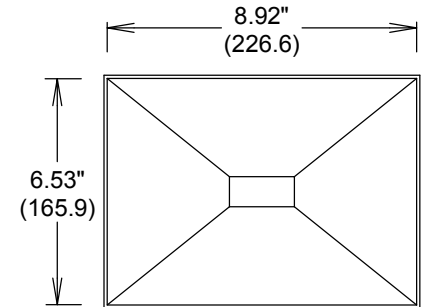
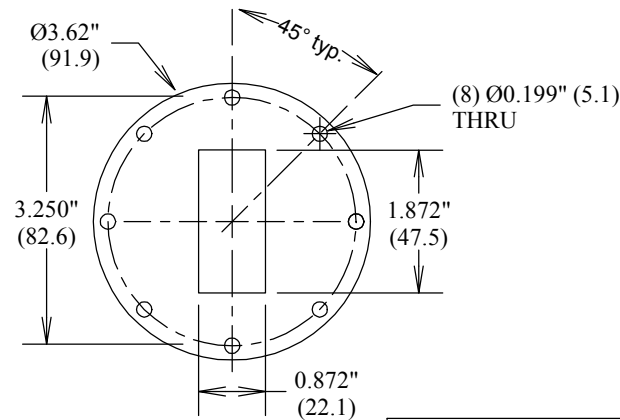
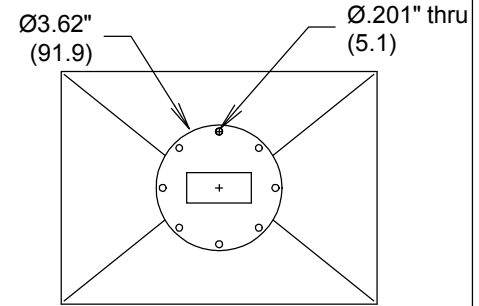
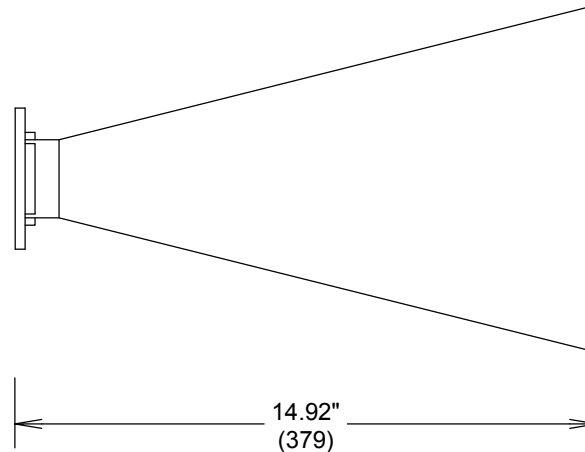
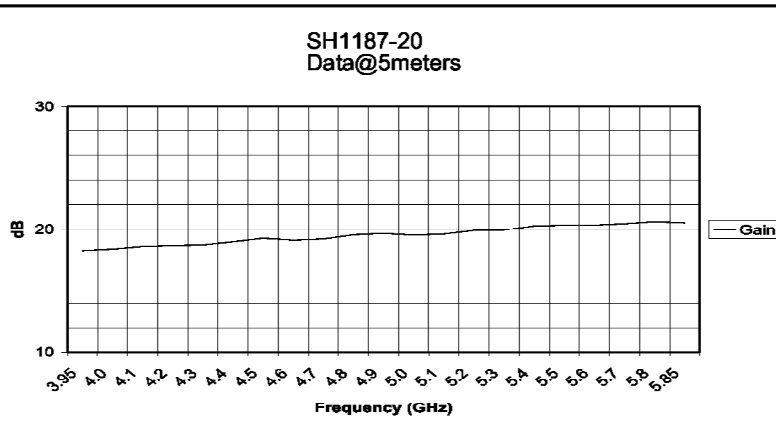
FREQUENCY: 3.95 - 5.85 GHZ  
 TYPICAL GAIN VARIATION:  $\pm 1.5$  TO  $\pm 2.0$  DB  
 GAIN\*: 20 DB  
 3 DB BEAM WIDTH\*:  
 E PLANE: 18.9°  
 H PLANE: 19.2°

### MATERIALS:

BODY/FLANGE: ALUMINIUM  
 FINISH: UNIQUE CORROSION RESISTANT  
 316 STAINLESS STEEL EPOXY COATING IAW MIL-F-14072  
 FLANGE: MIL-SPEC COVER FLANGE: UG-407/U FLANGE

\*GAIN & 3 DB BEAM WIDTH VALUES ARE CALCULATED BY COMPUTER SIMULATION

MEASUREMENTS BELOW ARE TYPICAL



**FAIRVIEW MICROWAVE INC.**

ALLEN, TX 75013 WWW.FAIRVIEWMICROWAVE.COM

TITLE

**STANDARD GAIN HORN 20 dB GAIN WR187**

SIZE	CAGE CODE	DWG NO	REV
<b>A</b>	<b>3FKR5</b>	<b>SH1187-20</b>	--
SCALE		SHEET	

ALL DIMENSIONS IN inches(mm) Typical