

STANDARD GAIN HORN WR229

15DB GAIN 3.3-4.9 GHZ

SH1229-15

SPECIFICATIONS

ELECTRICAL:

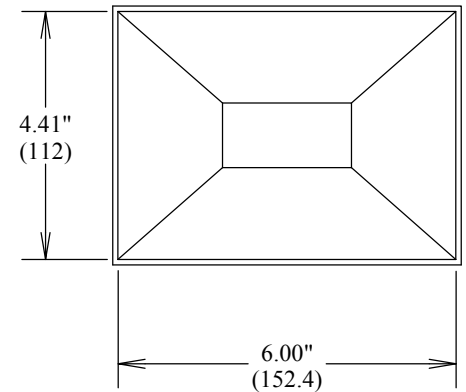
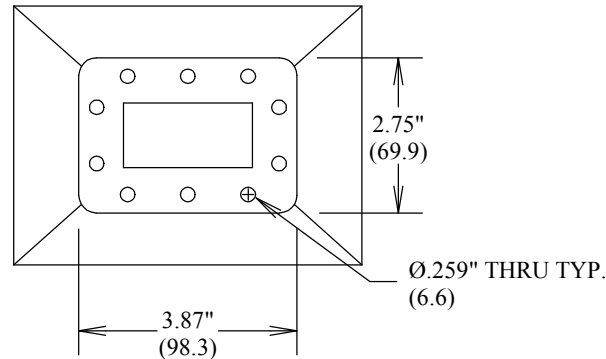
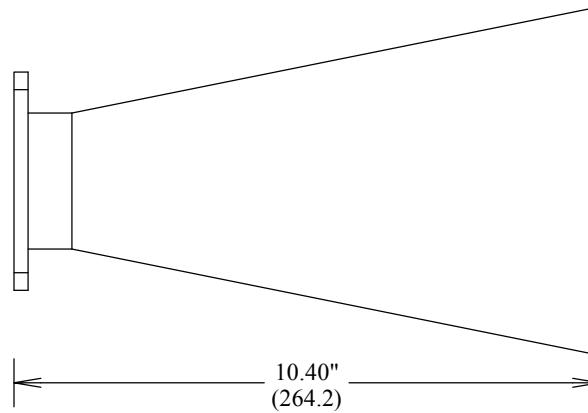
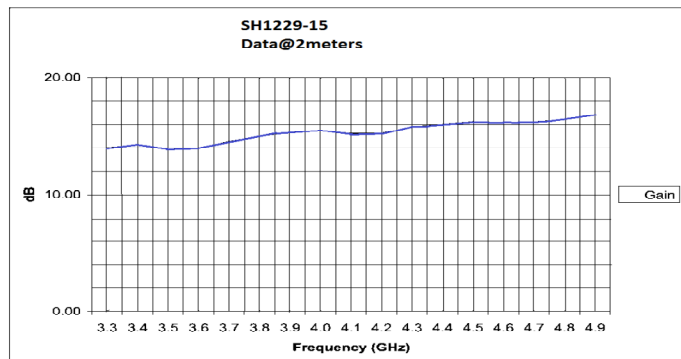
FREQUENCY: 3.3 - 4.9 GHZ
 TYPICAL GAIN VARIATION: ± 1.5 TO ± 2.0 DB
 GAIN*: 15 DB
 3 DB BEAM WIDTH*:
 E PLANE: 32.7°
 H PLANE: 32.4°

MATERIALS:

BODY/FLANGE: ALUMINIUM
 FINISH: UNIQUE CORROSION RESISTANT
 316 STAINLESS STEEL EPOXY COATING IAW MIL-F-14072
 FLANGE: MIL-SPEC COVER FLANGE: UG-1727/U

*GAIN & 3 DB BEAM WIDTH VALUES ARE
 CALCULATED BY COMPUTER SIMULATION

MEASUREMENTS BELOW ARE TYPICAL



FAIRVIEW MICROWAVE INC.

ALLEN, TX 75013 WWW.FAIRVIEWMICROWAVE.COM

TITLE

STANDARD GAIN HORN WR229
 15DB GAIN 3.3-4.9 GHZ

SIZE	CAGE CODE	DWG NO	REV
A	3FKR5	SH1229-15	--
SCALE		SHEET	

ALL DIMENSIONS IN inches(mm) Typical