

**WR-28 Standard Waveguide Horn With UG-599/U Square Cover Flange and 10 dBi Nominal Gain Operating From 26.5 GHz to 40 GHz Frequency Range**

Fairview Microwave's SH128-10 WR-28 waveguide standard gain horn antenna operating from 26.5 GHz to 40 GHz with a nominal 10 dBi gain is part of our full line of RF components available for same-day shipping. This pyramidal horn antenna has a lightweight anodized aluminum body and a precision tolerance UG-599/U square cover flange. The SH128-10 WR-28 waveguide standard gain horn antenna offers low gain variation across its operating frequency range and 54.4 degrees of half power beam width.

Waveguide standard gain horn antennas are used in a wide variety of applications due to their high power handling capability, low loss, high directivity, and near constant electrical performance across a broad bandwidth. Fairview Microwave's WR-28 standard gain horns are available in 10, 15 and 20 dB models with pyramidal shape and rectangular waveguide input.

**Configuration**

Design	WR-28 Standard Gain Horn
Pattern	Directional
Polarization	Linear

**Electrical Specifications**

Description	Min	Typ	Max	Units
Frequency Range	26.5		40	GHz
Nominal Gain		10		dBi
Horizontal 3dB Beam Width		54.4		Deg
Vertical 3dB Beam Width		54.2		Deg

**Electrical Specification Notes:**

3 dB beam width is calculated by computer simulation.

**Mechanical Specifications**

**Size**

Length	1 in [25.4 mm]
Width/Diameter	0.75 in [19.05 mm]
Height	0.75 in [19.05 mm]
Weight	0.018 lbs [8.16 g]

**Waveguide Interface**

Waveguide Size	WR-28
Flange Type	Square Cover
Flange Designation	UG-599/U
Body Material and Plating	Anodized Aluminum

**Environmental Specifications**

**Compliance Certifications** (see [product page](#) for current document)

**Plotted and Other Data**

Notes:



**Features:**

- Rectangular Waveguide Interface
- 26.5 GHz to 40 GHz
- 10 dBi Nominal Gain
- UG-599/U Square Cover Flange

**Applications:**

- Antenna Measurements
- Wireless Communication
- Laboratory Use
- Microwave Radio Systems

Fairview Microwave  
 1130 Junction Dr. #100  
 Allen, TX 75013  
 Tel: 1-800-715-4396 / (972) 649-6678  
 Fax: (972) 649-6689  
[www.fairviewmicrowave.com](http://www.fairviewmicrowave.com)  
[sales@fairviewmicrowave.com](mailto:sales@fairviewmicrowave.com)

WR-28 Standard Waveguide Horn With UG-599/U Square Cover Flange and 10 dBi Nominal Gain Operating From 26.5 GHz to 40 GHz Frequency Range from Fairview Microwave is in-stock and available to ship same-day. All of our RF/microwave products are available off-the-shelf from our ISO 9001:2008 certified facilities in Allen, Texas. Fairview Microwave is RF on-demand.

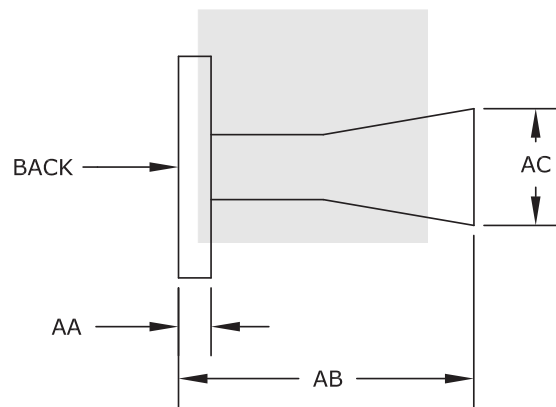
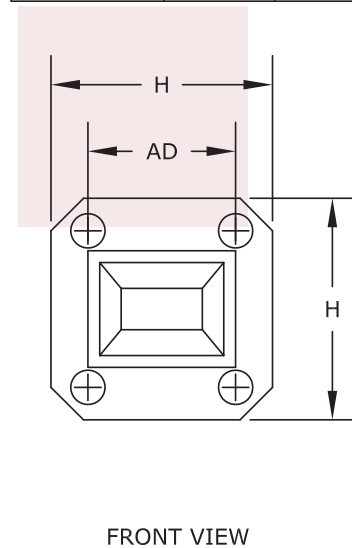
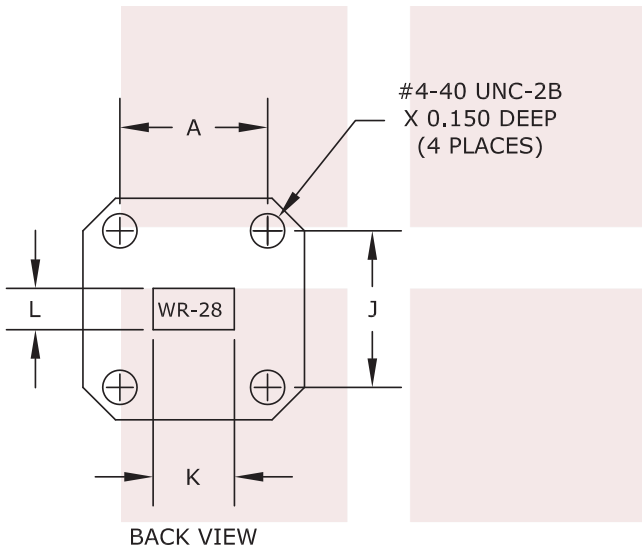
For additional information on this product, please click the following link: [WR-28 Standard Waveguide Horn With UG-599/U Square Cover Flange and 10 dBi Nominal Gain Operating From 26.5 GHz to 40 GHz Frequency Range SH128-10](#)

URL: <https://www.fairviewmicrowave.com/wr-28-standard-gain-horn-antenna-0-db-sh128-10-p.aspx>

The information contained in this document is accurate to the best of our knowledge and representative of the part described herein. It may be necessary to make modifications to the part and/or the documentation of the part, in order to implement improvements. Fairview Microwave reserves the right to make such changes as required. Unless otherwise stated, all specifications are nominal. Fairview Microwave does not make any representation or warranty regarding the suitability of the part described herein for any particular purpose, and Fairview Microwave does not assume any liability arising out of the use of any part or documentation.



WR28		
Dimension	Inches	mm
A	0.500	12.70
H	0.750	19.05
J	0.530	13.46
K ( $\pm 0.010$ )	0.280	7.11
L ( $\pm 0.010$ )	0.140	3.56
AA	0.120	3.05
AB	1.000	25.40
AC	0.395	10.03
AD	0.500	12.70



STANDARD TOLERANCES	
.X	$\pm 0.2$
.XX	$\pm 0.1$
.XXX	$\pm 0.05$

\*STANDARD TOLERANCES APPLY ONLY TO DIMENSIONS IN INCHES

<b>FAIRVIEW MICROWAVE INC.</b> ALLEN, TX 75013 WWW.FAIRVIEWMICROWAVE.COM		NOTES: 1. UNLESS OTHERWISE SPECIFIED ALL DIMENSIONS ARE NOMINAL. 2. ALL SPECIFICATIONS ARE SUBJECT TO CHANGE WITHOUT NOTICE AT ANY TIME. 3. DIMENSIONS ARE IN INCHES [mm].			
TITLE WR-28 Standard Waveguide Horn With UG-599/U Square Cover Flange and 10 dBi Nominal Gain Operating From 26.5 GHz to 40 GHz Frequency Range		DWG NO SH128-10		CAGE CODE 3FKR5	
CAD FILE	120816	SHEET	SCALE	N/A	SIZE A 41742