

# STANDARD GAIN HORN 15 dB GAIN WR284

SH1284-15

## SPECIFICATIONS

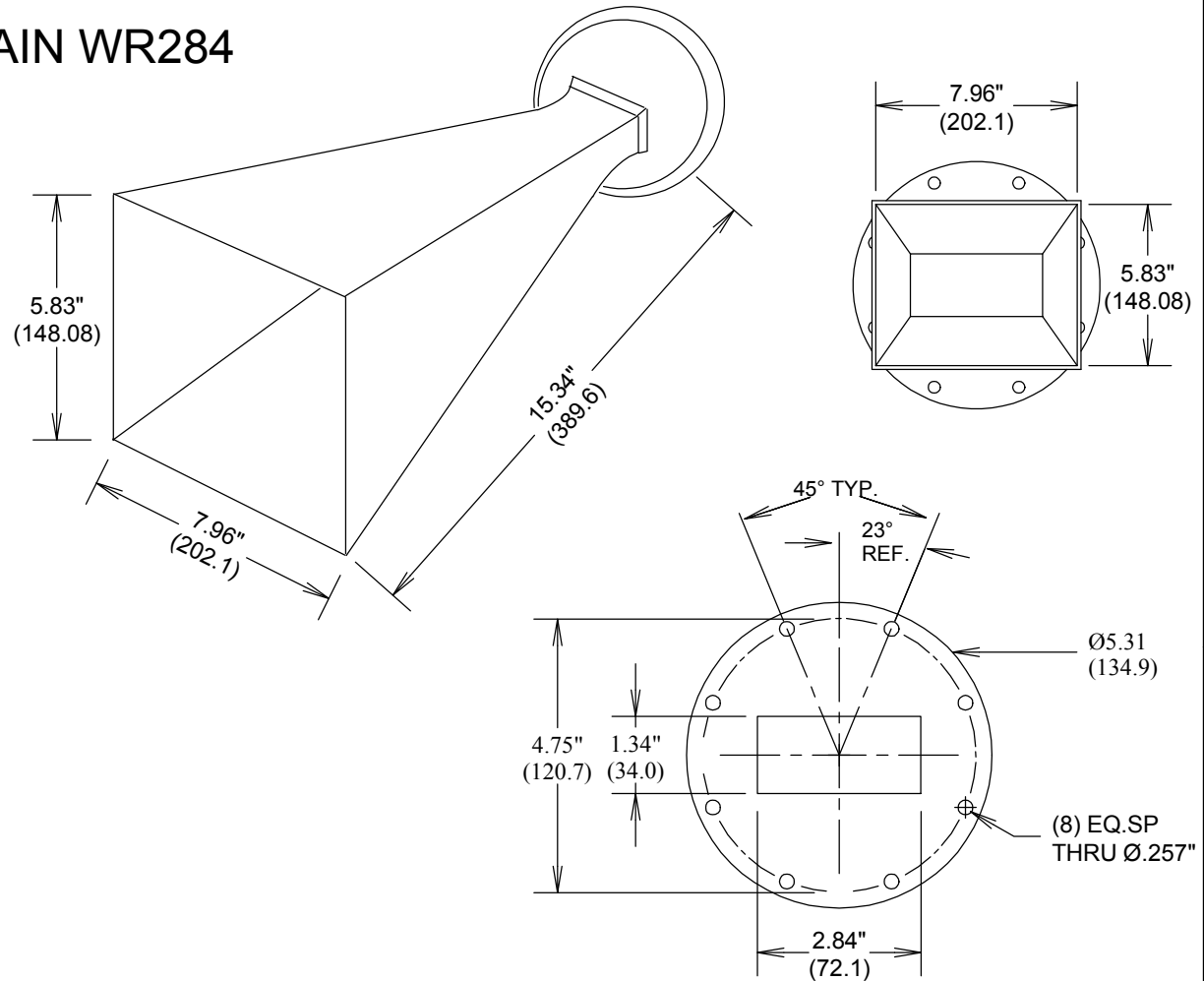
### ELECTRICAL:

FREQUENCY: 2.6 - 3.95 GHZ  
 TYPICAL GAIN VARIATION:  $\pm 1.5$  TO  $\pm 2.0$  DB  
 GAIN\*: 15 DB  
 3 DB BEAM WIDTH\*:  
 E PLANE: 31.0°  
 H PLANE: 30.6°

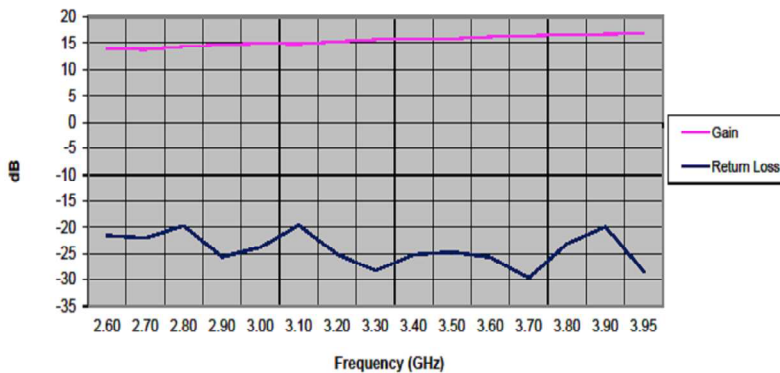
### MATERIALS:

BODY/FLANGE: ALUMINIUM  
 FINISH: UNIQUE CORROSION RESISTANT  
 316 STAINLESS STEEL EPOXY COATING IAW MIL-F-14072  
 FLANGE: MIL-SPEC COVER FLANGE: UG-584/U

\*GAIN & 3 DB BEAM WIDTH VALUES ARE CALCULATED BY COMPUTER SIMULATION



Data @ 2 Meters



**FAIRVIEW MICROWAVE INC.**

ALLEN, TX 75013 WWW.FAIRVIEWMICROWAVE.COM

TITLE

**STANDARD GAIN HORN 15 dB GAIN WR284**

SIZE	CAGE CODE	DWG NO	REV
<b>A</b>	<b>3FKR5</b>	<b>SH1284-15</b>	--
SCALE		SHEET	

ALL DIMENSIONS IN inches(mm) Typical