

# STANDARD GAIN HORN 20 DB GAIN WR51

SH151-20

## SPECIFICATIONS

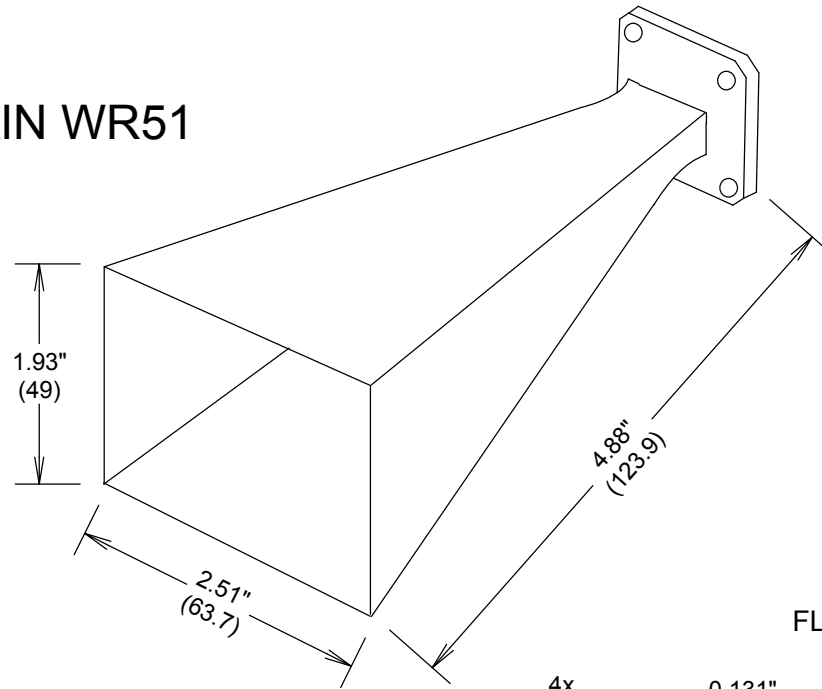
### ELECTRICAL:

FREQUENCY: 15 - 22 GHz  
 TYPICAL GAIN VARIATION:  $\pm 1.5$  TO  $\pm 2.0$  DB  
 GAIN\*: 20 DB  
 3 DB BEAM WIDTH\*:  
 E PLANE: 16.9°  
 H PLANE: 18.0°

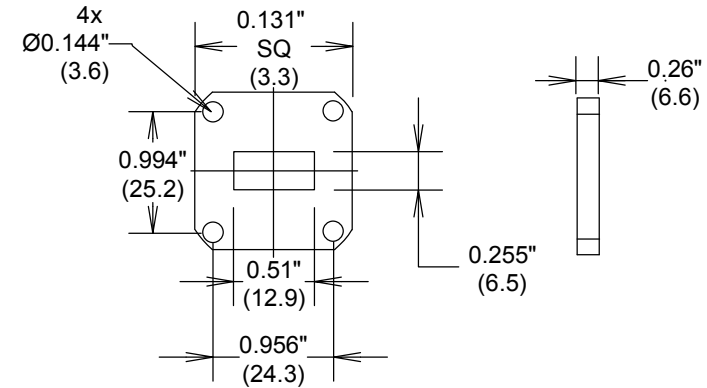
### MATERIALS:

BODY FLANGE: ALUMINUM  
 FINISH: UNIQUE CORROSION RESISTANT  
 316 STAINLESS STEEL EPOXY COATING IAW MIL-F-14072

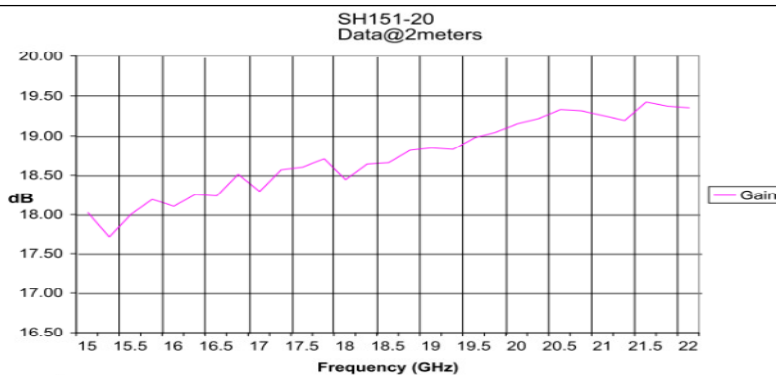
\*GAIN & 3 DB BEAM WIDTH VALUES ARE  
 CALCULATED BY COMPUTER SIMULATION



### FLANGE SIZE



MEASUREMENTS BELOW ARE TYPICAL



ALL DIMENSIONS IN inches(mm) Typical

## FAIRVIEW MICROWAVE INC.

ALLEN, TX 75013 WWW.FAIRVIEWMICROWAVE.COM

TITLE

STANDARD GAIN HORN 20 DB GAIN WR51

SIZE	CAGE CODE	DWG NO	REV
A	3FKR5	SH151-20	A
SCALE		SHEET	