

**WR-62 Standard Waveguide Horn With Square Cover Flange and 10 dBi Nominal Gain Operating From 12.4 GHz to 18 GHz Frequency Range**

Waveguide standard gain horn antennas are used in a wide variety of applications due to their high power handling capability, low loss, high directivity, and near constant electrical performance across a broad bandwidth. Fairview Microwave's SH162-10 WR-62 waveguide standard gain horn antenna operating from 12.4 GHz to 18 GHz with a nominal 10 dBi gain is part of our full line of RF components available for same-day shipping. This pyramidal horn antenna has a lightweight anodized aluminum body and a precision tolerance square cover flange. The SH162-10 WR-62 waveguide standard gain horn antenna offers low gain variation across its operating frequency range, 55.3 degrees of vertical half power beam width and 50.9 degrees of horizontal half power beam width.

**Configuration**

Design: WR-62 Standard Gain Horn  
 Pattern: Directional  
 Polarization: Linear

**Electrical Specifications**

Description	Min	Typ	Max	Units
Frequency Range	12.4		18	GHz
Nominal Gain		10		dBi
Horizontal 3dB Beam Width		50.9		Deg
Vertical 3dB Beam Width		55.3		Deg

Electrical Specification Notes:  
 3 dB beam width is calculated by computer simulation.

**Mechanical Specifications**

**Size**  
 Length: 1 in [25.4 mm]  
 Width/Diameter: 1.313 in [33.35 mm]  
 Height: 1.313 in [33.35 mm]  
 Weight: 0.04 lbs [18.14 g]

**Waveguide Interface**

Waveguide Size: WR-62  
 Flange Type: Square Cover  
 Body Material and Plating: Anodized Aluminum

**Environmental Specifications**

**Compliance Certifications** (see [product page](#) for current document)

**Plotted and Other Data**

Notes:



**Features:**

- Rectangular Waveguide Interface
- 12.4 GHz to 18 GHz
- 10 dBi Nominal Gain
- Square Cover Flange

**Applications:**

- Antenna Measurements
- Wireless Communication
- Laboratory Use
- Microwave Radio Systems

Fairview Microwave  
 1130 Junction Dr. #100  
 Allen, TX 75013  
 Tel: 1-800-715-4396 / (972) 649-6678  
 Fax: (972) 649-6689  
[www.fairviewmicrowave.com](http://www.fairviewmicrowave.com)  
[sales@fairviewmicrowave.com](mailto:sales@fairviewmicrowave.com)

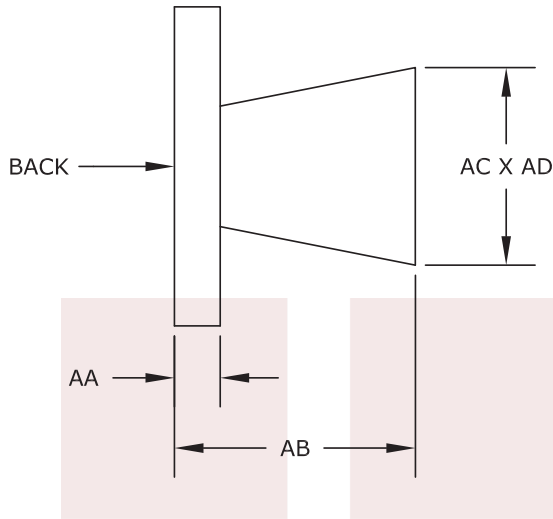
WR-62 Standard Waveguide Horn With Square Cover Flange and 10 dBi Nominal Gain Operating From 12.4 GHz to 18 GHz Frequency Range from Fairview Microwave is in-stock and available to ship same-day. All of our RF/microwave products are available off-the-shelf from our ISO 9001:2008 certified facilities in Allen, Texas. Fairview Microwave is RF on-demand.

For additional information on this product, please click the following link: [WR-62 Standard Waveguide Horn With Square Cover Flange and 10 dBi Nominal Gain Operating From 12.4 GHz to 18 GHz Frequency Range SH162-10](#)

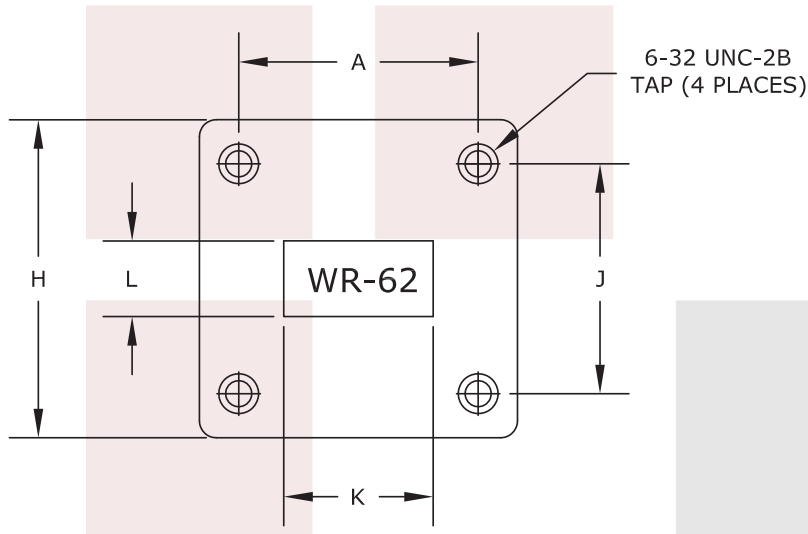
URL: <https://www.fairviewmicrowave.com/wr-62-standard-gain-horn-antenna-0-db-sh162-10-p.aspx>

The information contained in this document is accurate to the best of our knowledge and representative of the part described herein. It may be necessary to make modifications to the part and/or the documentation of the part, in order to implement improvements. Fairview Microwave reserves the right to make such changes as required. Unless otherwise stated, all specifications are nominal. Fairview Microwave does not make any representation or warranty regarding the suitability of the part described herein for any particular purpose, and Fairview Microwave does not assume any liability arising out of the use of any part or documentation.





WR62		
Dimension	Inches	mm
A	0.994	25.25
H	1.313	33.35
J	0.956	24.28
K ( $\pm 0.002$ )	0.622	15.80
L ( $\pm 0.002$ )	0.311	7.90
AA	0.180	4.57
AB	1.000	25.40
AC	0.820	20.83
AD	1.160	29.46



BACK VIEW

STANDARD TOLERANCES	
.X	$\pm 0.2$
.XX	$\pm 0.1$
.XXX	$\pm 0.05$

\*STANDARD TOLERANCES APPLY ONLY TO DIMENSIONS IN INCHES

**FAIRVIEW MICROWAVE INC.**  
 ALLEN, TX 75013 WWW.FAIRVIEWMICROWAVE.COM

NOTES:  
 1. UNLESS OTHERWISE SPECIFIED ALL DIMENSIONS ARE NOMINAL.  
 2. ALL SPECIFICATIONS ARE SUBJECT TO CHANGE WITHOUT NOTICE AT ANY TIME.  
 3. DIMENSIONS ARE IN INCHES [mm].

TITLE  
 WR-62 Standard Waveguide Horn With Square Cover Flange and 10 dBi Nominal Gain Operating From 12.4 GHz to 18 GHz Frequency Range

DWG NO SH162-10		CAGE CODE 3FKR5			
CAD FILE 120916	SHEET	SCALE N/A	SIZE A	41742	