

HYBRID 700-2700MHZ N-F'S 90 DEGREES

SH3725

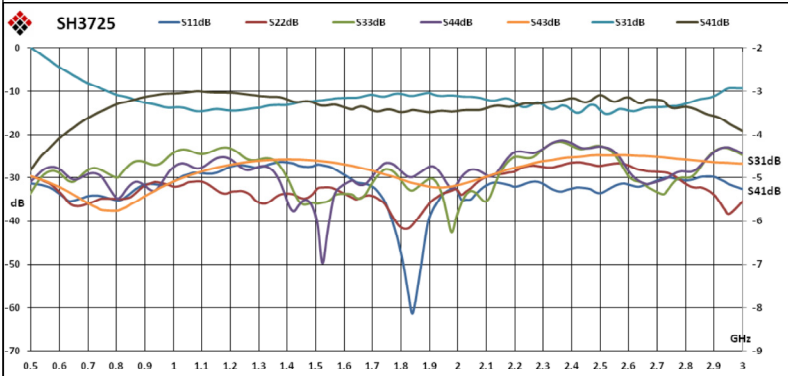
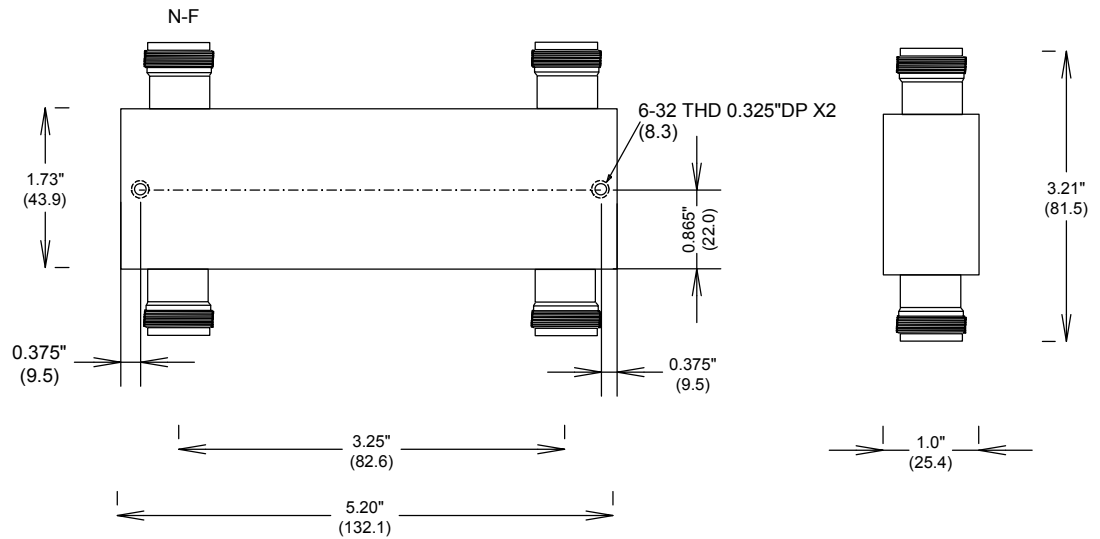
SPECIFICATIONS

ELECTRICAL

FREQUENCY: 700-2700MHZ
 PIM <140dBc (2 tones @ +43dBm)
 COUPLING: 3DB NOMINAL
 POWER: 120W AVG, 1.5KW PEAK
 IMPEDANCE: 50 OHMS
 VSWR: 1.20:1 MAX , ALL PORTS
 AMPLITUDE BALANCE: 0.15DB
 LOSS: 3.2 DB MAX (3+.2)
 ISOLATION: 30 DB MIN 700-2200;
 25DB MIN 2200-2700

MECHANICAL

MATERIALS BODY: PASSIVATED ALUMINUM
 CONNECTORS: N-FEMALE, SILVER PLATING
 TEMP RANGE: -35 TO +65 DEG C
 WEIGHT: 14 oz



ALL DIMENSIONS IN inches(MM) Typical

FAIRVIEW MICROWAVE INC.			
ALLEN, TX 75013 WWW.FAIRVIEWMICROWAVE.COM			
TITLE			
HYBRID 700-2700MHZ N-F'S 90 DEGREES			
SIZE	CAGE CODE	DWG NO	REV
A	3FKR5	SH3725	C
SCALE		SHEET	