

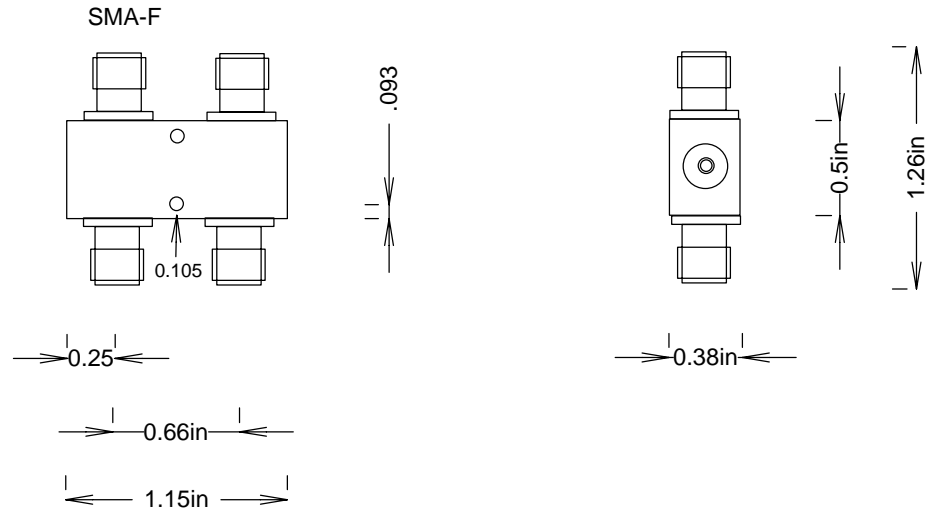
SPECIFICATIONS

ELECTRICAL:

FREQUENCY: 2-4 GHZ
 VSWR 1.20:1 MAX
 COUPLING: 3DB
 POWER CW: 50 WATTS
 POWER PEAK: 3KW
 ISOLATION: 22 DB MIN
 LOSS: 3.1 +/- .6 DB
 IMPEDANCE: 50 OHMS

ENVIRONMENTAL:

TEMP: -55 C TO +125 C



S. M. ELECTRONICS

FAIRVIEW, TX 75069 WWW.SMELECTRONICS.US

TITLE

SMA 90 DEGREE HYBRID 2-4 GHZ

SIZE	CAGE CODE	DWG NO	REV
A	3FKR5	SH7204	
SCALE		SHEET	