

**3.5 dB NF, 26.5 GHz to 40 GHz, Low Noise Broad-band Amplifier with 13.5 dBm, 22 dB Gain, 22 dBm IP3 and 2.92mm**

SLNA-400-22-35-K is a 13.5 dBm power amplifier designed for operation in the 26.5 GHz to 40 GHz frequency range. The amplifier provides an IP3 of 22 dBm Typ and 22 dB of Gain Typ over the operating frequency range. The amplifier requires only +12 VDC power supply.

**Electrical Specifications** (TA= 25°C, VDC1 = 12 Vdc)

Description	Min	Typ	Max	Unit
Frequency Range	26.5		40	GHz
Gain	20	22	25	dB
Gain Flatness		±1	±1.5	dB
P1dB	+10	+13.5		dBm
IP3	+18	+22		dBm
Reverse Isolation		45		dB
Spurious		-60		dBc
Noise Figure		3.5	5	dB
Input VSWR		1.7:1	2.5:1	
Output VSWR		1.7:1	2.5:1	
Operating DC Voltage 1	8	12	15	Volts
Operating DC Current	110	125	150	mA
Operating Temperature Range (OTR)	-40		+75	°C

**Absolute Maximum Rating**

Parameter	Rating	Units
Source Voltage	+18	Volts
RF input Power	+10	dBm
Operating Temperature (base-plate)	-40 to +75	°C
Storage Temperature	-55 to +125	°C



ESD Sensitive Material, Transport material in Approved ESD bags. Handle only in approved ESD Workstation.

**Mechanical Specifications**

<b>Size</b>	
Length	1.5 in [38.1 mm]
Width	1 in [25.4 mm]
Height	0.4 in [10.16 mm]
Weight	0.077 lbs [34.93 g]
Input Connector	2.92mm Female
Output Connector	2.92mm Female



**Features:**

- 26.5 GHz to 40 GHz Frequency Range
- P1dB 13.5 dBm min.
- IP3 22 dBm typ.
- Gain 22 dB typ.
- Gain Flatness +/-0.75 dB

**Applications:**

- Medium Power Amplifier
- Driver Amp
- Military Communications
- Test & Measurement

Fairview Microwave  
 1130 Junction Dr. #100  
 Allen, TX 75013  
 Tel: 1-800-715-4396 / (972) 649-6678  
 Fax: (972) 649-6689  
[www.fairviewmicrowave.com](http://www.fairviewmicrowave.com)  
[sales@fairviewmicrowave.com](mailto:sales@fairviewmicrowave.com)

**Environmental Specifications**

**Temperature**

Operating Range -40 to +75 deg C  
Storage Range -45 to +125 deg C

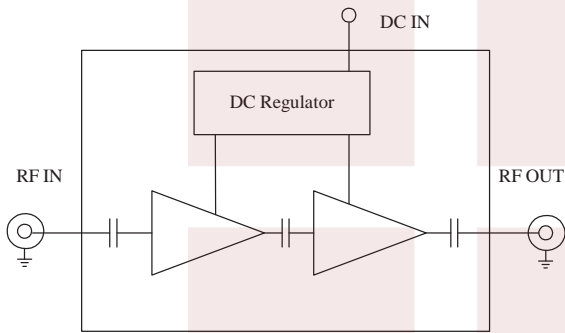
**Compliance Certifications** (see [product page](#) for current document)

**Plotted and Other Data**

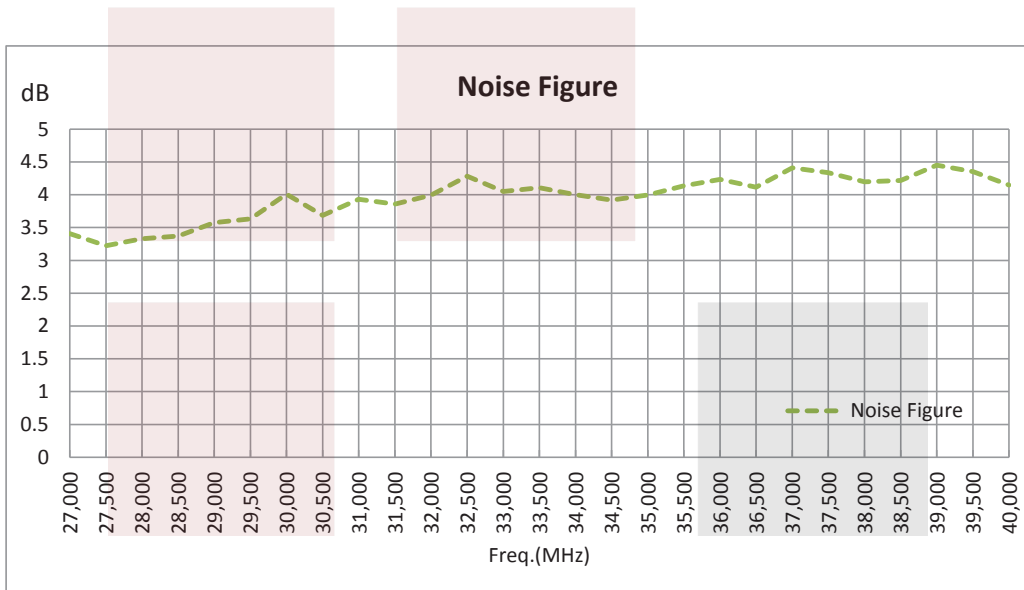
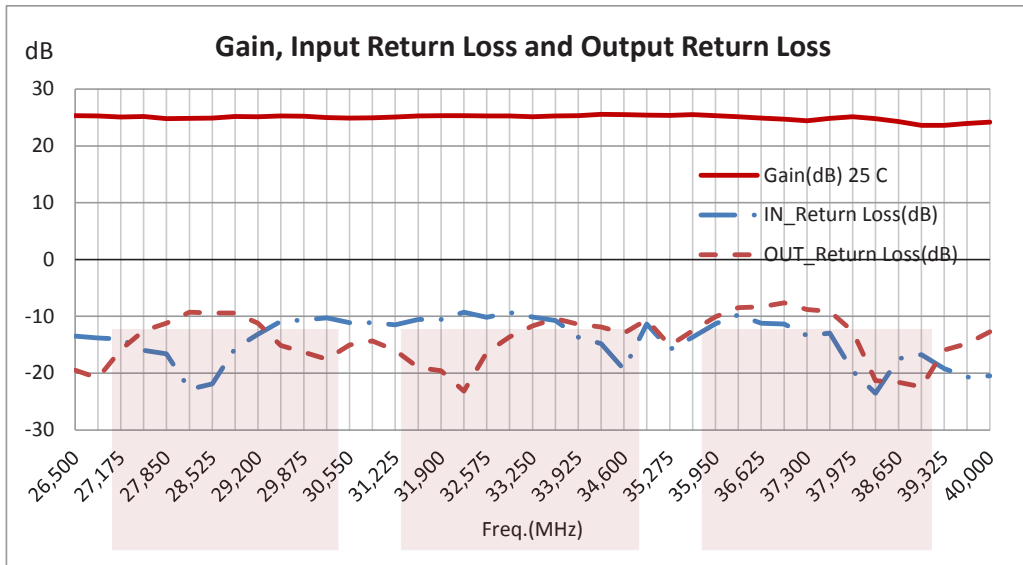
Notes:

- Values at 25 °C, sea level
- ESD Sensitive Material, Transport material in Approved ESD bags. Handle only in approved ESD Workstation.

**Functional Block Diagram**



**Typical Performance Data**

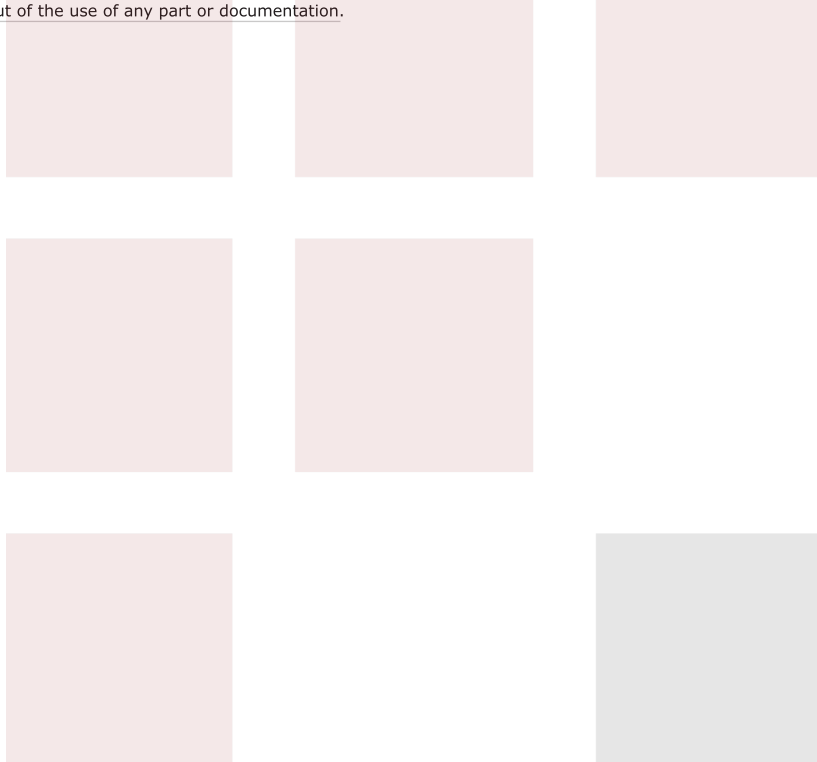


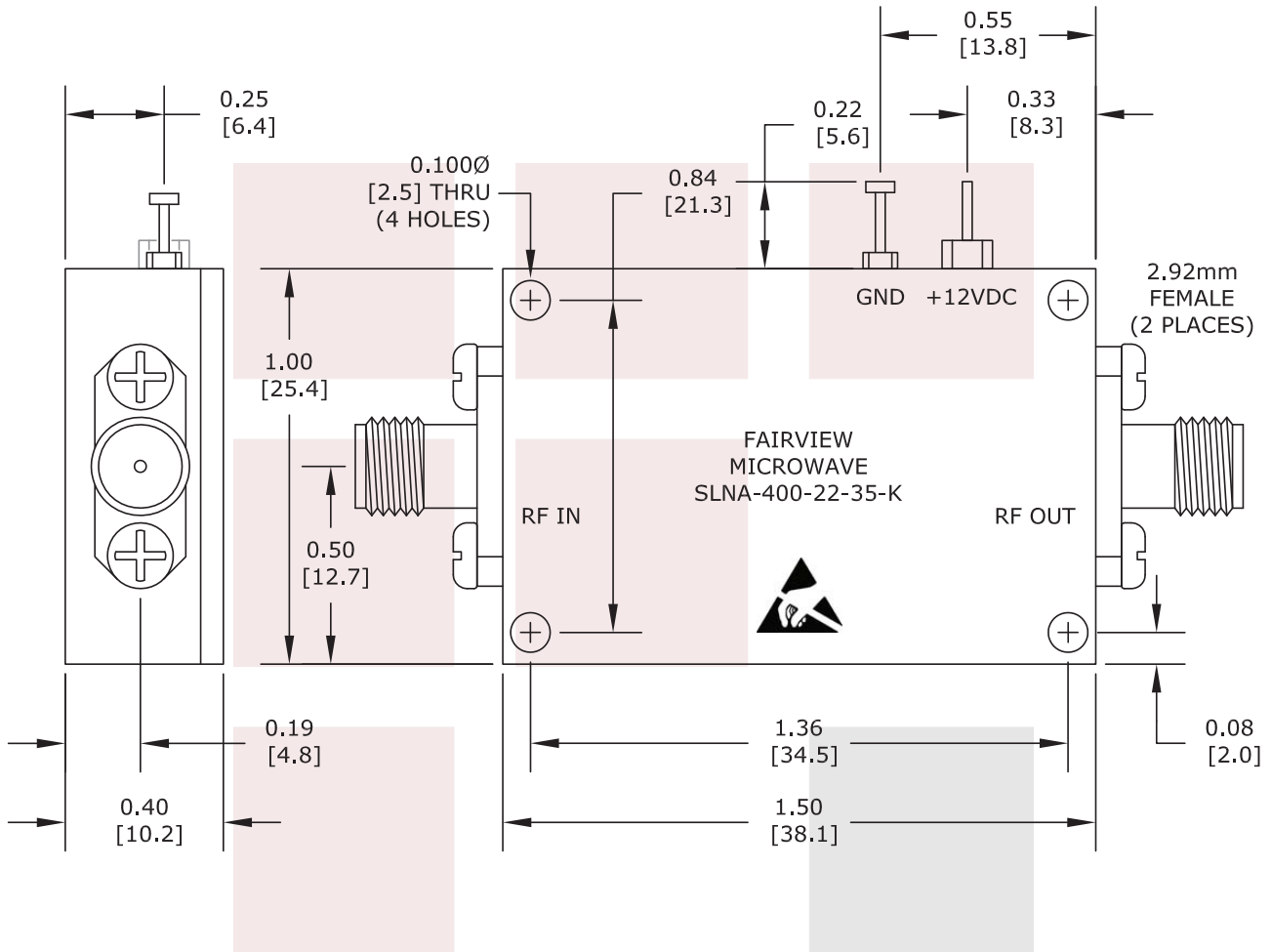
3.5 dB NF, 26.5 GHz to 40 GHz, Low Noise Broadband Amplifier with 13.5 dBm, 22 dB Gain, 22 dBm IP3 and 2.92mm from Fairview Microwave is in-stock and available to ship same-day. All of our RF/microwave products are available off-the-shelf from our ISO 9001:2008 certified facilities in Allen, Texas. Fairview Microwave is RF on-demand.

For additional information on this product, please click the following link: [3.5 dB NF, 26.5 GHz to 40 GHz, Low Noise Broadband Amplifier with 13.5 dBm, 22 dB Gain, 22 dBm IP3 and 2.92mm SLNA-400-22-35-K](#)

URL: <https://www.fairviewmicrowave.com/26.5-40-ghz-low-noise-broadband-amplifier-slna-400-22-35-k-p.aspx>

The information contained in this document is accurate to the best of our knowledge and representative of the part described herein. It may be necessary to make modifications to the part and/or the documentation of the part, in order to implement improvements. Fairview Microwave reserves the right to make such changes as required. Unless otherwise stated, all specifications are nominal. Fairview Microwave does not make any representation or warranty regarding the suitability of the part described herein for any particular purpose, and Fairview Microwave does not assume any liability arising out of the use of any part or documentation.





**NOTE:**  
 HEAT SINK REQUIRED FOR PROPER OPERATION,  
 UNIT IS COOLED BY CONDUCTING TO HEAT SINK.

<b>FAIRVIEW MICROWAVE INC.</b> ALLEN, TX 75013 WWW.FAIRVIEWMICROWAVE.COM		NOTES: 1. UNLESS OTHERWISE SPECIFIED ALL DIMENSIONS ARE NOMINAL. 2. ALL SPECIFICATIONS ARE SUBJECT TO CHANGE WITHOUT NOTICE AT ANY TIME. 3. DIMENSIONS ARE IN INCHES [mm].			
TITLE 3.5 dB NF, 26.5 GHz to 40 GHz, Low Noise Broadband Amplifier with 13.5 dBm, 22 dB Gain, 22 dBm IP3 and 2.92mm		DWG NO SLNA-400-22-35-K		CAGE CODE 3FKR5	
CAD FILE 040215		SHEET		SCALE N/A SIZE A 2233	