

SMB T JACK-PLUG-JACK 4GHZ

SM2010

SPECIFICATIONS

ELECTRICAL

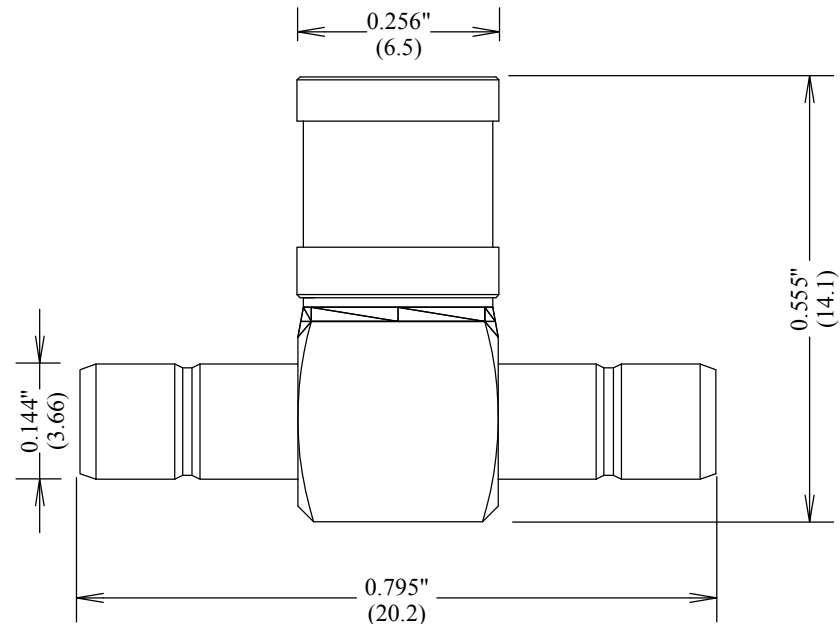
50 OHMS
VSWR 1.20:1 MAX @ 4 GHZ
FREQUENCY: 0-4 GHZ

MECHANICAL

MATERIALS BODY: NICKEL PLATED BRASS
CONTACT: BeCu
CONTACT PLATING: Au PER MIL-G-45204
INSULATOR: TEFLON
CENTER CONTACTS BRASS
INTERFACE: MIL-STD-348

ENVIRONMENTAL
-65 TO +165°C

ROHS COMPLIANT



FAIRVIEW MICROWAVE INC.

ALLEN, TX 75013 WWW.FAIRVIEWMICROWAVE.COM

TITLE

SMB T JACK-PLUG-JACK 4GHZ

ALL DIMENSIONS IN inches(MM) Typical	SIZE	CAGE CODE	DWG NO	REV
	A	3FKR5	SM2010	--
	SCALE		SHEET	