

# SMC/JACK - SMC/JACK ADAPTER

SM2014

## SPECIFICATIONS

### ELECTRICAL

FREQUENCY: 0-10 GHZ

IMPEDANCE: 50 OHMS

VSWR: 1.2:1 MAX @ 10GHZ

### MECHANICAL

MATERIAL BODY: NICKEL PLATED BRASS

FEMALE CONTACTS: BeCu

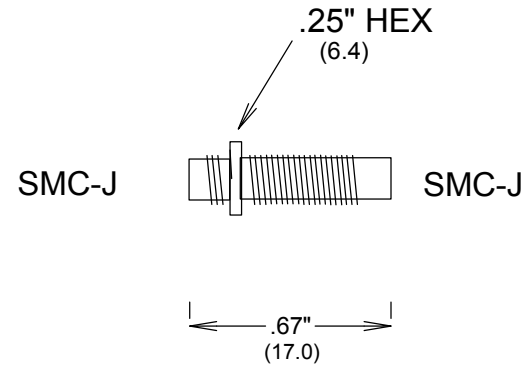
CONTACT PLATING: Au MIL-G-45204

INSULATOR: TELFON

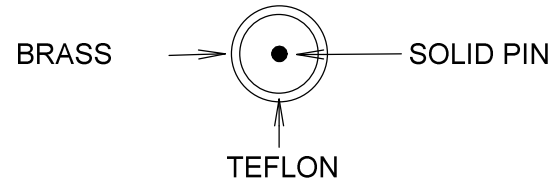
INTERFACE: MIL-STD-348A

ROHS COMPLIANT

OP TEMP -55°-125°C



SMC JACK



**FAIRVIEW MICROWAVE INC.**

ALLEN, TX 75013 WWW.FAIRVIEWMICROWAVE.COM

TITLE

**SMC/JACK - SMC/JACK ADAPTER**

ALL DIMENSIONS IN inches(MM) Typical	SIZE	CAGE CODE	DWG NO	REV
	<b>A</b>	3FKR5	<b>SM2014</b>	<b>A</b>
	SCALE		SHEET	