

# SMC/PLUG - SMC/PLUG ADAPTER

SM2020

## SPECIFICATIONS

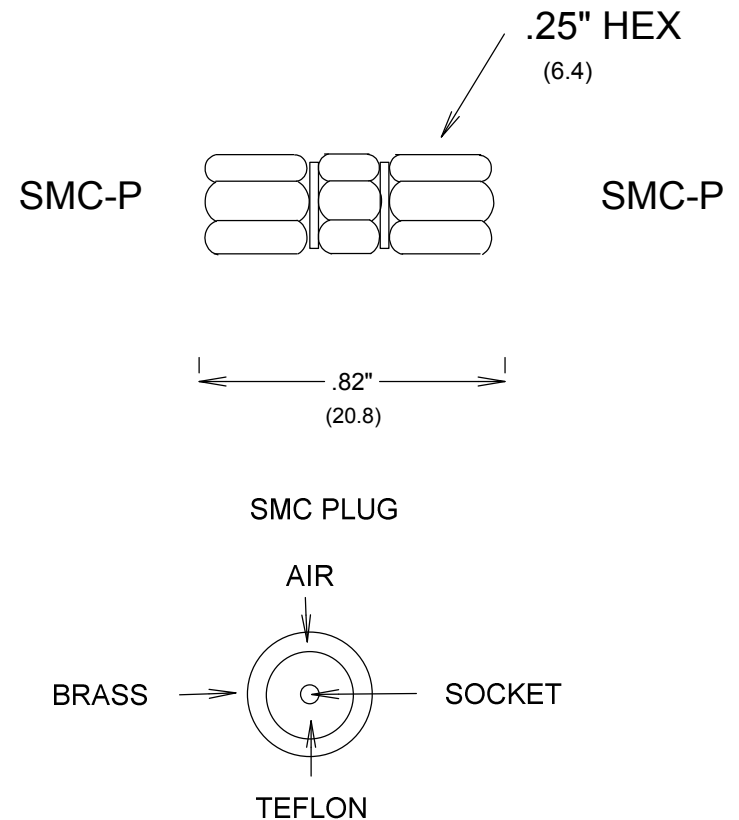
### ELECTRICAL

FREQUENCY: 0-10 GHZ  
 IMPEDANCE: 50 OHMS  
 VSWR: 1.2:1 MAX @ 10GHZ

### MECHANICAL

MATERIAL BODY: NICKEL PLATED BRASS  
 FEMALE CONTACTS: BeCu  
 CONTACT PLATING: Au MIL-G-45204  
 INSULATOR: TEFLON  
 INTERFACE: MIL-STD-348A

ROHS COMPLIANT  
 OP TEMP -55°-125°C



**FAIRVIEW MICROWAVE INC.**

ALLEN, TX 75013 [WWW.FAIRVIEWMICROWAVE.COM](http://WWW.FAIRVIEWMICROWAVE.COM)

TITLE

**SMC/PLUG - SMC/PLUG ADAPTER**

ALL DIMENSIONS IN inches(MM) Typical	SIZE	CAGE CODE	DWG NO	REV
	<b>A</b>	3FKR5	SM2020	-
	SCALE		SHEET	